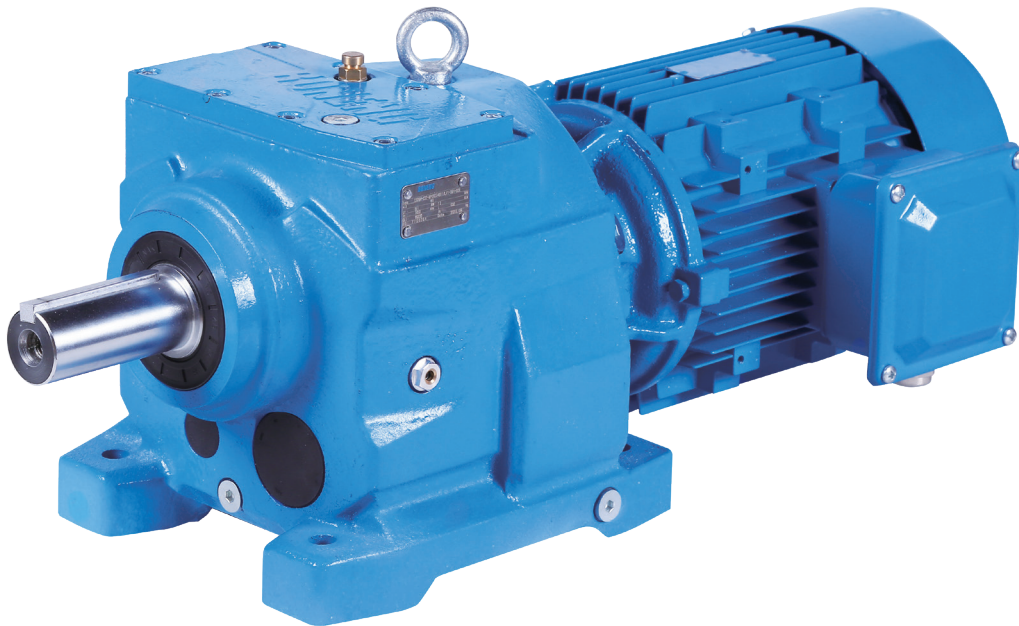


BONENG

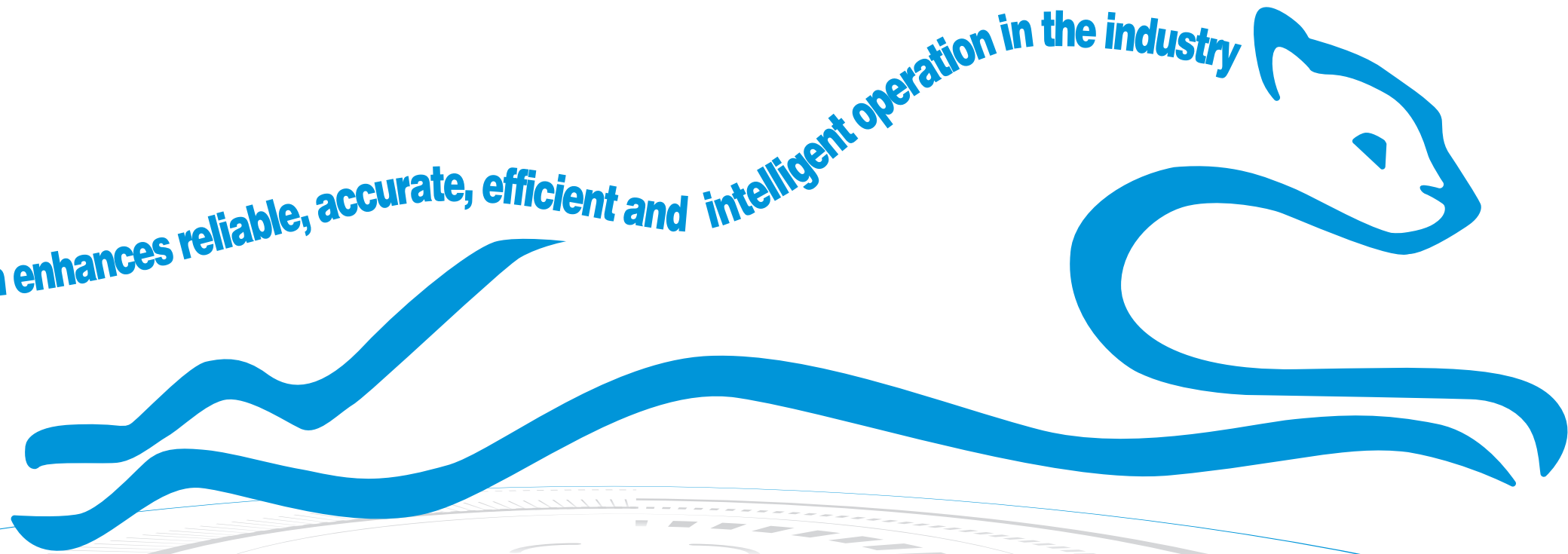


C Helical Gearmotor

Modified date 12/2019
Selection Sample C05.0009-EN

Boneng Transmission

Boneng Transmission enhances reliable, accurate, efficient and intelligent operation in the industry



Boneng Transmission More products: drive / motor / gear motor / gear box
Please browse: www.boneng.com

Note:

- ◆ The structure scheme, appearance diagram and other attached diagrams in sample are examples, there is no strict proportion requirement. (The unmarked dimension units are mm).
- ◆ The marked weight is average value, it has no constraint force.

You must conform to the following instructions:

- ◆ To prevent accidents, all the rotation parts are added with protective covers according to the safety regulations of the nation and region.
- ◆ Before debugging, you should carefully read instruction book.
- ◆ Gearbox is on running—permission status when delivered, you should add lubrication oil before putting it into running.
- ◆ The marked oil quantity in sample is only reference value, actual oil filling quantity should be the same with the mark on oil immersion lens.
- ◆ Lubrication oil viscosity should be selected according to working situation and application environment temperature of gearmotor.
- ◆ You can only apply lubrication oil of internationally famous brand.

Product Function Mark



Oil glass



Breather

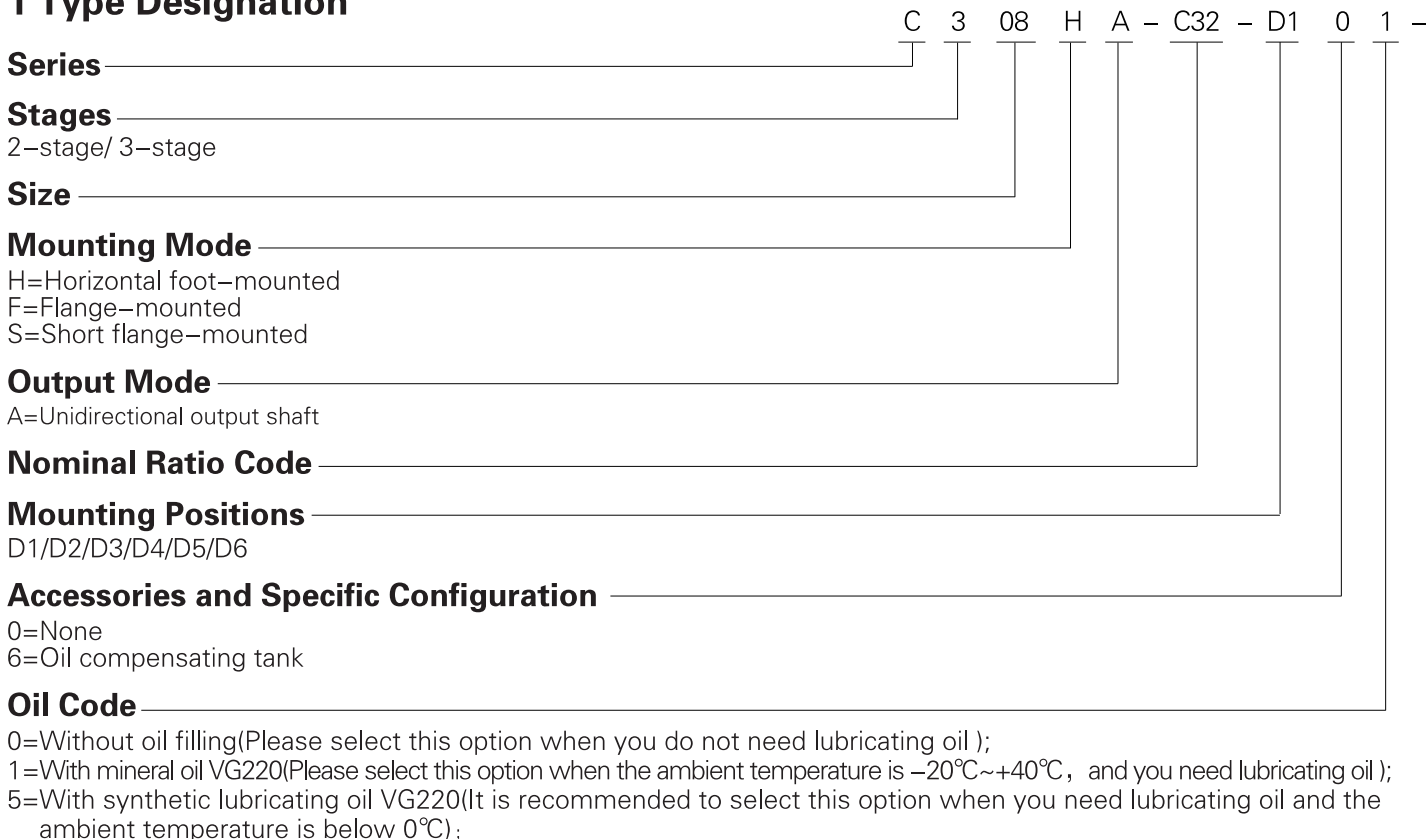


Oil filler

Contents

| | | |
|--------|--------------------------------------|----|
| ▲..... | Type Designation | 01 |
| ▲..... | Sectional Drawings | 03 |
| ▲..... | Mounting Positions | 04 |
| ▲..... | Type Selection and Example | 05 |
| ▲..... | Transmission Capacity | 07 |
| ▲..... | Dimensions | 15 |
| ▲..... | Input Flange and Input shaft | 41 |
| ▲..... | Combi-type Dimensions | 46 |
| ▲..... | Oil Compensating Tank | 47 |
| ▲..... | Oil | 48 |
| ▲..... | Motor Rainproof Cover Dimensions | 49 |
| ▲..... | Permissible Radial Force | 49 |
| ▲..... | Shaft End Centre Hole | 51 |
| ▲..... | Dimension of Parallel Key and Keyway | 52 |

1 Type Designation



Note¹⁾ Motor Type/Frame Size/Poles/Power Code

| Power kW | 4-pole Type | 6-pole Type | Power kW | 4-pole Type | 6-pole Type | Power kW | 4-pole Type | 6-pole Type | Power kW | 4-pole Type | 6-pole Type |
|----------|--|--------------------------|----------|--|--------------------------|----------|--------------------------|--------------------------|----------|--------------------------|-------------|
| 0.09 | MS056M4A09 ²⁾ | | 1.1 | MS090S4B11 MH090S4B11 MP090S4B11 | MH090S6B11 MP090M6B11 | 11 | MH160S4C11 MP160M4C11 | MH160M6C11 MP160M6C11 | 110 | MH315S4D11 MP315S4D11 | MH315L6D11 |
| 0.12 | MS056M4A12 ²⁾ MH063M4A12 MP063M4A12 | | 1.5 | MS090S4B15 MH090S4B15 MP090M4B15 | MH100M6B15 MP100M6B15 | 15 | MH160M4C15 MP160L4C15 | MH180M6C15 MP180M6C15 | 132 | MH315M4D13 MP315M4D13 | MH315L6D13 |
| 0.18 | MH063M4A18 MP063M4A18 | MH071M6A18 MP071M6A18 | 2.2 | MS100M4B22 MH100M4B22 MP100M4B22 | MH112M6B22 MP112M6B22 | 18.5 | MH180M4C18 MP180M4C18 | MH200M6C18 MP200M6C18 | 160 | MH315L4D16 MP315L4D16 | |
| 0.25 | MS063M4A25 ²⁾ MH071M4A25 MP071M4A25 | MH071M6A25 MP071M6A25 | 3 | MS100M4B30 MH100M4B30 MP100M4B30 | MH132S6B30 MP132S6B30 | 22 | MH180L4C22 MP180L4C22 | MH200M6C22 MP200M6C22 | 200 | MH315L4D20 MP315L4D20 | |
| 0.37 | MH071M4A37 MP071M4A37 | MH080M6A37 MP080M6A37 | 4 | MS112M4B40 MH112L4B40 MP112L4B40 | MH132M6B40 MP132S6B40 | 30 | MH200M4C30 MP200M4C30 | MH225M6C30 MP225M6C30 | | | |
| 0.55 | MS071M4A55 ²⁾ MS080M4A55 MH080M4A55 MP080M4A55 | MH080M6A55 MP080M6A55 | 5.5 | MS132S4B55 MH132S4B55 MP132M4B55 | MH132M6B55 MP132M6B55 | 37 | MH225M4C37 MP225M4C37 | MH250M6C37 MP250M6C37 | | | |
| 0.75 | MS080M4A75 MH080M4A75 MP080M4A75 | MH090S6A75 MP090S6A75 | 7.5 | MS132M4B75 MH132M4B75 MP132L4B75 | MH160S6B75 MP160S6B75 | 45 | MH225M4C45 MP225M4C45 | MH280S6C45 MP280S6C45 | | | |
| | | | | | | 55 | MH250M4C55 MP250M4C55 | MH280M6C55 MP280M6C55 | | | |
| | | | | | | 75 | MH280S4C75 MP280S4C75 | MH315S6C75 MP315S6C75 | | | |
| | | | | | | 90 | MH280M4C90 MP280M4C90 | MH315M6C90 MP315M6C90 | | | |

Note²⁾ Be applied to C200/C300/C201/C301

MH 132S 4 B55 A C 3 - A 0 B 1 0- 0 1 1

Cable Entry Position

1/2/3/4

Terminal Box Position

1/2/3/4

Motor mounting Position 0

Motor protection

0=IP55 Without rainproof cover 2=IP56 Without rainproof cover 4=IP65 Without rainproof cover
 1=IP55 With rainproof cover 3=IP56 With rainproof cover 5=IP65 With rainproof cover

Thermal Protection and Heating Protection

0=Without thermal protection and heating Protection 2=Thermal switch 5=Thermistor and heating belt
 1=Thermistor 3= PT100 temperature sensor 6=Thermal switch and heating belt
 4=Heating belt 7= PT100 temperature sensor and heating belt

Brake

N=Without brake
 A=Brake 220-240VAC G=Brake with self-lock device 220-240VAC P=Double-brakes 220-240VAC
 B=Brake 380-415VAC H=Brake with self-lock device 380-415VAC Q=Double-brakes 380-415VAC
 C=Brake 440-480VAC J=Brake with self-lock device 440-480VAC X=Double-brakes 440-480VAC
 D=Brake with release handle 220-240VAC K=Brake with micro switch 220-240VAC R=Double-brakes with release handle 220-240VAC
 E=Brake with release handle 380-415VAC L=Brake with micro switch 380-415VAC S=Double-brakes with release handle 380-415VAC
 F=Brake with release handle 440-480VAC M=Brake with micro switch 440-480VAC T=Double-brakes with release handle 440-480VAC

Encoder

0=Without encoder
 1=With encoder

Cooling

A=Self-fan cooling
 F=Driven fan

Frequency/Voltage Code

1=50Hz 220V Δ/380VY 5=60Hz 440V Δ E=60Hz 220V Δ/380VY
 2=50Hz 230V Δ/400VY 6=60Hz 460V Δ F=60Hz 380V Δ
 3=50Hz 380V Δ/660VY 7=60Hz 440V Y
 4=50Hz 400V Δ/690VY 8=60Hz 460VY
 A=50Hz 240V Δ/415VY C=60Hz 480VY
 B=50Hz 415V Δ D=60Hz 480V Δ

Note: 3kW and below "Y", alternative code: 1,2,7,8,A,C,E;
 4kW and above "Δ", alternative code: 3,4,5,6,B,D,F.

Frame Material

L=Die-casting aluminum frame(standard configuration of 100 and below)
 C=Grey cast iron frame(standard configuration of 112 and above)

Mounting Mode A

Power Code¹⁾

Motor Poles¹⁾

4=4-pole; 6=6-pole

Frame Size¹⁾

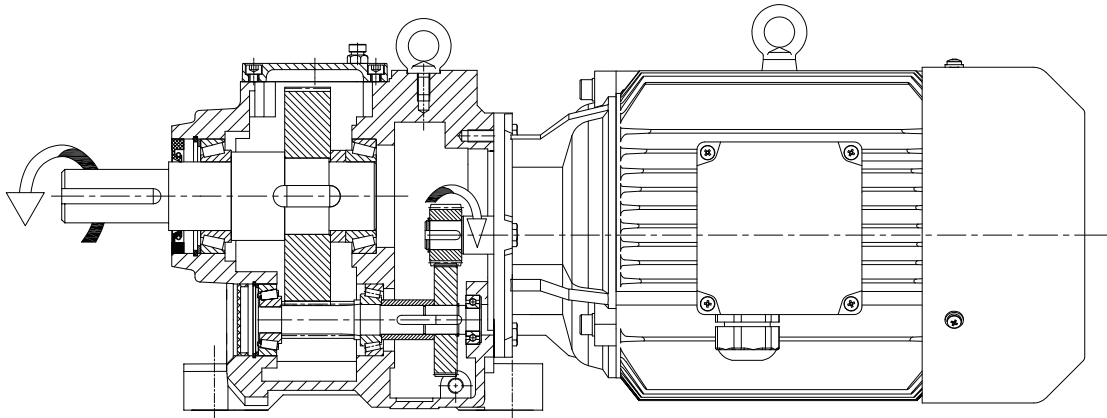
Motor Type¹⁾

MS=Three-phase asynchronous motor (IE1)
 MH=High efficiency three-phase asynchronous motor (IE2)
 MP=Premium Efficiency three-phase asynchronous motor (IE3)

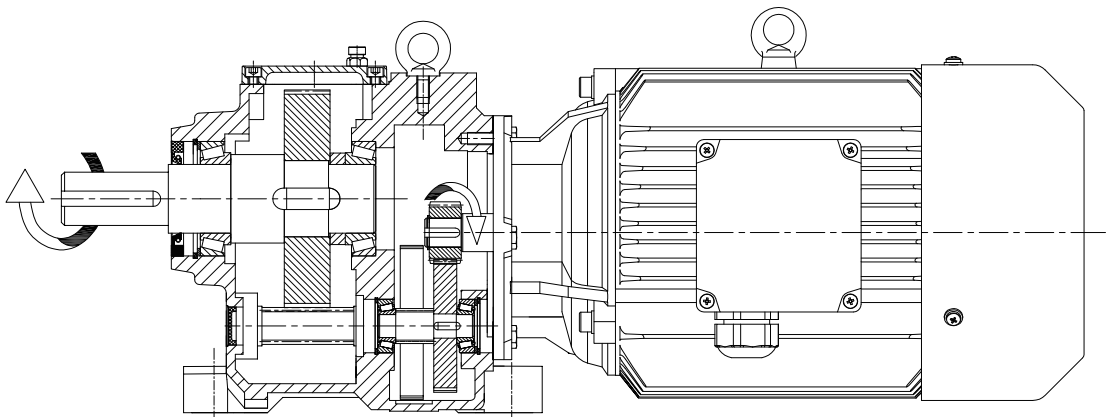
◆ Example of product type with input flange or input shaft: C308HA-C32-D101-AE3

◆ Example of product type with input flange and motor type: C308HA-C32-D101-AP132-MH132S4B55FC3-A0N10-011

2 Sectional Drawings

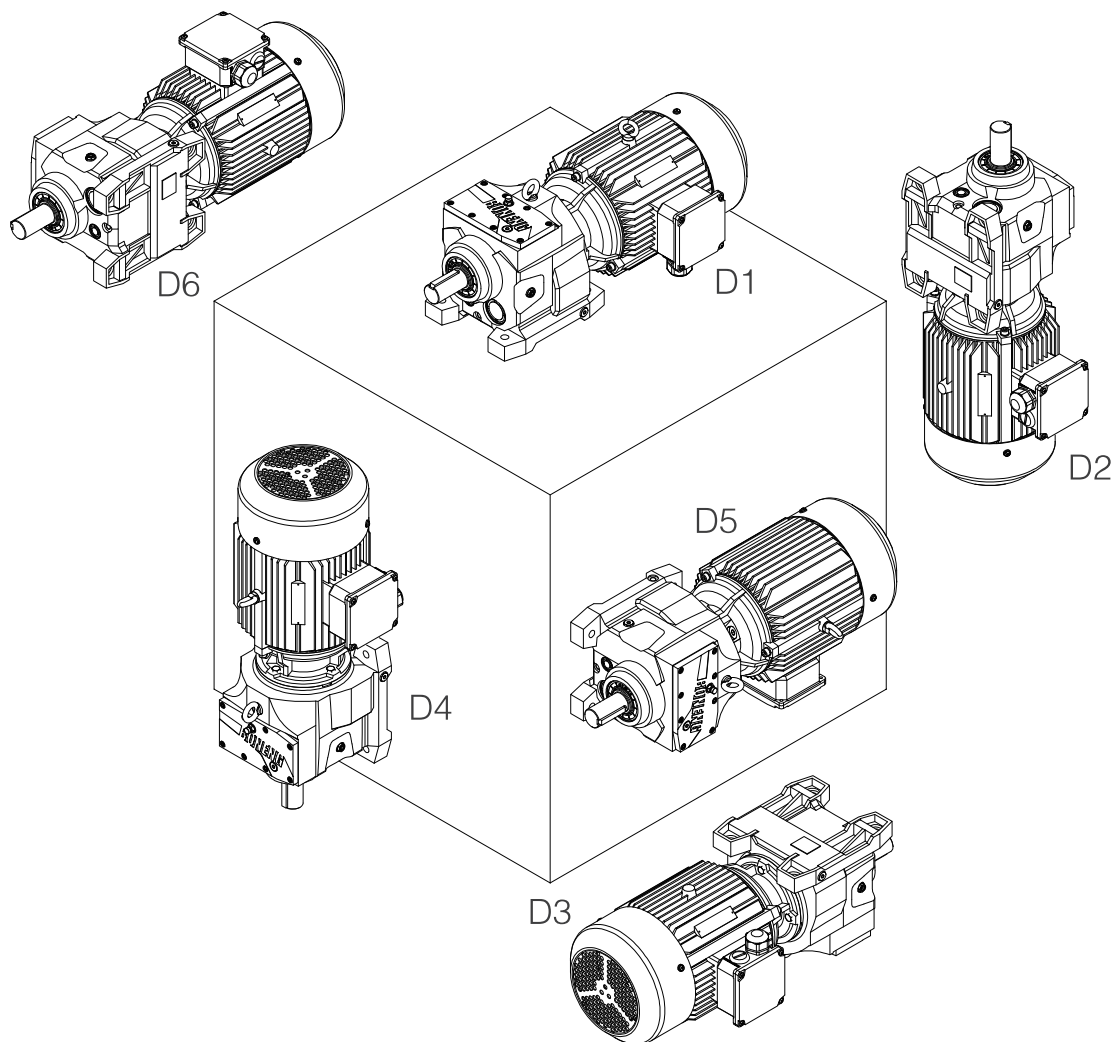


2-stage

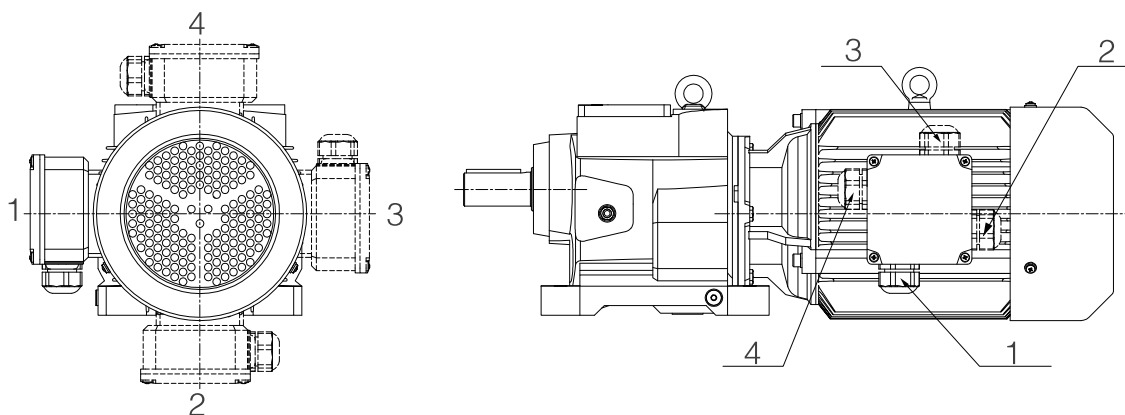


3-stage

3 Mounting Positions



Motor terminal box and cable entry position (View :Motor afterbody)



Assembly colour of gearmotor (RAL5015)

4 Type Selection and Example

| Step | Description | Symbol | Parameters Calculation and Guideline | | | |
|------|--|------------------------------------|---|-----------------------------|------------|------------|
| 1 | Driven Machine Factor | f_1 | Load Characteristic | Operating hours per day (h) | | |
| | | | | ≤ 2 | 2~10 | 10~24 |
| | | | Uniform | 1.00(1.00) | 1.00(1.25) | 1.25(1.50) |
| | | | Moderate | 1.00(1.25) | 1.25(1.50) | 1.50(1.75) |
| | | | Heavy | 1.25(1.50) | 1.50(1.75) | 1.75(2.00) |
| | | | Note: Apply values in the brackets when starts per hour are 10 times or more. | | | |
| 2 | Input Speed | n_1 | $\leq 1800\text{rpm}$ Consult us if higher speed required. | | | |
| 3 | Calculation of the Ratio | i | $i=n_1/n_2$ (n_2 : Output speed) | | | |
| 4 | Transmission Efficiency | η | C2.. 2-stage: 96% C3.. 3-stage: 94% | | | |
| 5 | Calculation of the input power of the gearunit on basis of the torque and power required by the driven machine. | P_1 | $P_1=T_2 \cdot n_1/(9550 \cdot i \cdot \eta)$ or $P_1=P_2/\eta$ | | | |
| 6 | Determination of gearunit type referring to the table of transmission capacity after calculation,For directly-connected motor, require to refer to directly-connected motor power table. | T_{2N} 、 P_{1N} | $T_{2N} \geq T_2 \cdot f_1$ or $P_{1N} \geq P_1 \cdot f_1$ | | | |
| 7 | Check the radial and axial forces on the shafts. | F_{r1}/F_{r2} F_{a1}/F_{a2} | See the table of Radial Force on Output Shaft (F_{r2}) on P51 | | | |
| 8 | Determination of Lubrication system | / | Generally Splash Lubrication | | | |
| 9 | Determination of Cooling System | / | Generally Air Cooling | | | |
| 10 | Determination of every item included in the Type Designation | / | For details about Type Designation, see P01 | | | |
| 11 | Normal ambient conditions | / | Ambient temperature -20 to 40°C , ample space, good ventilation,altitude not exceeding 1000m and common plant dust. | | | |
| 12 | Special ambient conditions | / | For higher or lower temperature, dusty sites,chemical reaction (acids,alkaline, etc), or open field (sunlight, ice, rain,etc), please consult us! | | | |

Example

◆ Known Criteria:

- 1、 Load characteristics by the driven machine: Moderate, working 6 hours/d and starting 5 times/h;
- 2、 Normal motor: 4-pole, speed $n_1=1450\text{r/min}$;
- 3、 The power required $P_2=1.6\text{kW}$, speed $n_2=26\text{ r/min}$;
- 4、 Mounting mode: flange-mounted, mounting position D1, motor terminal box 1, cable entry position 1.

◆ Selection steps:

- 1、 By referring to the table of Load Characteristic, we get the driven machine factor $f_1=1.25$;
- 2、 Calculation of the Ratio i_N :
 $i=n_1/n_2=1450/26=55.7$, nominal ratio $i_N=56$;
- 3、 Calculation of the input power and determination of the motor power (transmission efficiency $\eta=94\%$):
 $P_1 \geq P_2 / \eta = 1.6 / 0.94 = 1.7\text{kW}$, so 2.2kW motor is selected.
Refer to the directly-connected motor power table, it can be directly-connected;
- 4、 Determination of the nominal power of the geared motor P_{1N} :
 $P_{1N} \geq P_2 \cdot f_1 / \eta = 1.6 \times 1.25 / 0.94 = 2.13\text{kW}$;
- 5、 The type selected:
C307FA-C56-D100-MS100M4B22AL2-A0N00-011

5 Transmission Capacity

5.1 F Transmission capacity

C...(iN=3.15-280)

| Nominal input Speed | Nominal output Speed | Nominal Ratio Code | Nominal Ratio | Rated Output Torque | Exact Ratio | Rated Input Power | Rated Output Torque | Exact Ratio | Rated Input Power | Rated Output Torque | Exact Ratio | Rated Input Power | |
|---------------------|----------------------|--------------------|---------------|---------------------|-------------|-------------------|---------------------|-------------|-------------------|---------------------|-------------|-------------------|------|
| n_1 (r/min) | n_{2N} (r/min) | Code | i_N | T_{2N} (N.m) | i_{ex} | P_{1N} (kW) | T_{2N} (N.m) | i_{ex} | P_{1N} (kW) | T_{2N} (N.m) | i_{ex} | P_{1N} (kW) | |
| | | | | C200 C300 | | | C201 C301 | | | C203 C303 | | | |
| n_{1N} (r/min) | n_{2N} (r/min) | Code | i_N | T_{2N} (N.m) | i_{ex} | P_{1N} (kW) | T_{2N} (N.m) | i_{ex} | P_{1N} (kW) | T_{2N} (N.m) | i_{ex} | P_{1N} (kW) | |
| 1450 | 460 | B32 | 3.15 | 35 | 3.13 | 1.70 | | | | | | | |
| | 408 | B36 | 3.55 | 35 | 3.43 | 1.55 | 50 | 3.37 | 2.26 | | | | |
| | 363 | B40 | 4 | 35 | 3.93 | 1.35 | 50 | 3.87 | 1.96 | 130 | 4.04 | 4.88 | |
| | 322 | B45 | 4.5 | 40 | 4.68 | 1.30 | 50 | 4.40 | 1.73 | 140 | 4.56 | 4.66 | |
| | 290 | B50 | 5 | 40 | 4.90 | 1.24 | 50 | 4.78 | 1.59 | 150 | 5.07 | 4.50 | |
| | 259 | B56 | 5.6 | 40 | 5.53 | 1.10 | 60 | 5.76 | 1.58 | 160 | 5.81 | 4.18 | |
| | 230 | B63 | 6.3 | 40 | 6.26 | 0.97 | 60 | 6.44 | 1.41 | 170 | 6.32 | 4.08 | |
| | 204 | B71 | 7.1 | 40 | 6.86 | 0.89 | 60 | 6.84 | 1.33 | 190 | 7.10 | 4.06 | |
| | 181 | B80 | 8 | 50 | 7.86 | 0.97 | 65 | 7.75 | 1.27 | 190 | 8.02 | 3.60 | |
| | 161 | B90 | 9 | 50 | 9.36 | 0.81 | 70 | 9.15 | 1.16 | 190 | 8.90 | 3.24 | |
| | 145 | C10 | 10 | 50 | 9.80 | 0.77 | 80 | 10.2 | 1.20 | 200 | 10.2 | 2.98 | |
| | 129 | C11 | 11.2 | 55 | 11.1 | 0.75 | 80 | 11.4 | 1.07 | 200 | 11.2 | 2.71 | |
| | 116 | C13 | 12.5 | 55 | 12.2 | 0.69 | 80 | 12.1 | 1.01 | 200 | 12.6 | 2.40 | |
| | 104 | C14 | 14 | 55 | 14.3 | 0.58 | 90 | 14.4 | 0.95 | 200 | 13.5 | 2.25 | |
| | 90.6 | C16 | 16 | 55 | 15.6 | 0.54 | 90 | 16.5 | 0.83 | 200 | 15.3 | 1.98 | |
| | 80.6 | C18 | 18 | 55 | 17.8 | 0.47 | 90 | 18.8 | 0.73 | 200 | 17.3 | 1.76 | |
| | 72.5 | C20 | 20 | 55 | 20.2 | 0.41 | 90 | 20.4 | 0.67 | 200 | 19.7 | 1.54 | |
| | 64.7 | C22 | 22.4 | 55 | 22.2 | 0.38 | 90 | 22.2 | 0.62 | 200 | 22.2 | 1.37 | |
| | 58.0 | C25 | 25 | 50 | 25.0 | 0.30 | 95 | 24.6 | 0.59 | 200 | 25.2 | 1.21 | |
| | 51.8 | C28 | 28 | 50 | 28.6 | 0.27 | 95 | 27.5 | 0.52 | 200 | 26.9 | 1.13 | |
| | 46.0 | C32 | 31.5 | 50 | 31.1 | 0.24 | 95 | 32.3 | 0.45 | 200 | 30.3 | 1.00 | |
| | 40.8 | C36 | 35.5 | 50 | 35.4 | 0.21 | 85 | 35.4 | 0.36 | 200 | 34.5 | 0.88 | |
| | 36.3 | C40 | 40 | 50 | 40.6 | 0.19 | 85 | 38.4 | 0.34 | 200 | 39.1 | 0.78 | |
| | 32.2 | C45 | 45 | 50 | 45.9 | 0.17 | 85 | 46.3 | 0.28 | 200 | 44.2 | 0.69 | |
| | 29.0 | C50 | 50 | 50 | 50.5 | 0.15 | 85 | 51.8 | 0.25 | 200 | 47.6 | 0.64 | |
| | 25.9 | C56 | 56 | 50 | 55.8 | 0.14 | 85 | 55.0 | 0.23 | 200 | 55.7 | 0.54 | |
| | 23.0 | C63 | 63 | 50 | 63.5 | 0.12 | 85 | 60.8 | 0.21 | 200 | 63.2 | 0.48 | |
| | 20.4 | C71 | 71 | 50 | 68.7 | 0.11 | 85 | 71.3 | 0.18 | 200 | 69.6 | 0.44 | |
| | 18.1 | C80 | 80 | | | | | 85 | 81.0 | 0.16 | 200 | 76.1 | 0.40 |
| | 16.1 | C90 | 90 | | | | | 85 | 87.4 | 0.15 | 200 | 83.2 | 0.36 |
| 14.5 | D10 | 100 | | | | | | | | | | | |
| 12.9 | D11 | 112 | | | | | | | | | | | |
| 11.6 | D13 | 125 | | | | | | | | | | | |
| 10.4 | D14 | 140 | | | | | | | | | | | |
| 9.06 | D16 | 160 | | | | | | | | | | | |
| 8.06 | D18 | 180 | | | | | | | | | | | |
| 7.25 | D20 | 200 | | | | | | | | | | | |
| 6.47 | D22 | 224 | | | | | | | | | | | |
| 5.80 | D25 | 250 | | | | | | | | | | | |
| 5.18 | D28 | 280 | | | | | | | | | | | |
| 960 | 15.2 | C63 | 63 | | | | | | | 200 | 63.2 | 0.32 | |
| | 13.5 | C71 | 71 | | | | | | | 200 | 69.6 | 0.29 | |
| | 12.0 | C80 | 80 | | | | | | | 200 | 76.1 | 0.26 | |
| | 10.7 | C90 | 90 | | | | | | | 200 | 83.2 | 0.24 | |
| | 9.6 | D10 | 100 | | | | | | | | | | |
| | 8.54 | D11 | 112 | | | | | | | | | | |
| | 7.68 | D13 | 125 | | | | | | | | | | |
| | 6.89 | D14 | 140 | | | | | | | | | | |
| | 6 | D16 | 160 | | | | | | | | | | |
| | 5.34 | D18 | 180 | | | | | | | | | | |
| 4.80 | D20 | 200 | | | | | | | | | | | |
| 4.28 | D22 | 224 | | | | | | | | | | | |
| 3.84 | D25 | 250 | | | | | | | | | | | |
| 3.43 | D28 | 280 | | | | | | | | | | | |

Note:(1) Above the red line are two-stage transmission gearmotor models,model name C2...; Below the red line are three-stage transmission gearmotor models,model name C3...;
(2) Actual output speed of the gearmotor: Actual input speed (n1)/Exact ratio (i_{ex});
(3)Rated input power corresponding to actual input speed of the gearmotor: $P_{1N}=T_{2N} * n_1 / (9550 * i_{ex})$,the rated output torque T_{2N} in the formula remains unchanged.

C Transmission capacity

C...(iN=3.15-280)

| Nominal input Speed | Nominal output Speed | Nominal Ratio Code | Nominal Ratio | Rated Output Torque | Exact Ratio | Rated Input Power | Rated Output Torque | Exact Ratio | Rated Input Power | Rated Output Torque | Exact Ratio | Rated Input Power |
|---------------------|----------------------|--------------------|---------------|---------------------|-------------|-------------------|---------------------|-------------|-------------------|---------------------|-------------|-------------------|
| n_1 (r/min) | n_{2N} (r/min) | Code | i_N | T_{2N} (N.m) | i_{ex} | P_{1N} (kW) | T_{2N} (N.m) | i_{ex} | P_{1N} (kW) | T_{2N} (N.m) | i_{ex} | P_{1N} (kW) |
| | | | | C208 C308 | | | C209 C309 | | | C210 C310 | | |
| n_{1N} (r/min) | n_{2N} (r/min) | Code | i_N | T_{2N} (N.m) | i_{ex} | P_{1N} (kW) | T_{2N} (N.m) | i_{ex} | P_{1N} (kW) | T_{2N} (N.m) | i_{ex} | P_{1N} (kW) |
| 1450 | 460 | B32 | 3.15 | | | | | | | | | |
| | 408 | B36 | 3.55 | | | | | | | | | |
| | 363 | B40 | 4 | | | | 1900 | 3.99 | 72 | 3300 | 3.87 | 130 |
| | 322 | B45 | 4.5 | 1300 | 4.50 | 43.9 | 1900 | 4.37 | 66 | 3300 | 4.33 | 116 |
| | 290 | B50 | 5 | 1300 | 5.11 | 38.6 | 1900 | 5.16 | 56 | 3300 | 5.11 | 98 |
| | 259 | B56 | 5.6 | 1300 | 5.47 | 36.1 | 1900 | 5.78 | 49.9 | 3300 | 5.54 | 90 |
| | 230 | B63 | 6.3 | 1300 | 6.46 | 30.5 | 1900 | 6.18 | 46.7 | 3800 | 6.47 | 89 |
| | 204 | B71 | 7.1 | 1300 | 7.27 | 27.2 | 2200 | 7.06 | 47.3 | 4100 | 7.17 | 87 |
| | 181 | B80 | 8 | 1300 | 7.97 | 24.8 | 2200 | 7.85 | 42.5 | 4300 | 7.60 | 86 |
| | 161 | B90 | 9 | 1300 | 9.20 | 21.4 | 2200 | 8.91 | 37.5 | 4300 | 8.64 | 76 |
| | 145 | C10 | 10 | 1300 | 10.4 | 19.0 | 2200 | 10.1 | 33.0 | 4300 | 9.67 | 68 |
| | 129 | C11 | 11.2 | 1300 | 11.3 | 17.4 | 2300 | 11.4 | 30.7 | 4300 | 10.7 | 61 |
| | 116 | C13 | 12.5 | 1300 | 12.7 | 15.5 | 2300 | 12.1 | 28.8 | 4300 | 12.5 | 52 |
| | 104 | C14 | 14 | 1300 | 13.9 | 14.2 | 2500 | 13.9 | 27.4 | 4400 | 13.8 | 48.4 |
| | 90.6 | C16 | 16 | 1500 | 16.1 | 14.1 | 2500 | 15.4 | 24.6 | 4400 | 14.6 | 45.6 |
| | 80.6 | C18 | 18 | 1500 | 17.2 | 13.3 | 2650 | 17.5 | 23.0 | 4400 | 16.6 | 40.1 |
| | 72.5 | C20 | 20 | 1500 | 20.0 | 11.4 | 2650 | 19.6 | 20.5 | 4400 | 18.6 | 35.9 |
| | 64.7 | C22 | 22.4 | 1500 | 22.1 | 10.3 | 2850 | 22.4 | 19.3 | 4500 | 20.7 | 33.0 |
| | 58.0 | C25 | 25 | 1700 | 25.4 | 10.2 | 2850 | 23.9 | 18.1 | 4500 | 24.3 | 28.1 |
| | 51.8 | C28 | 28 | 1800 | 28.6 | 9.6 | 3000 | 27.9 | 16.4 | 4500 | 26.6 | 25.7 |
| | 46.0 | C32 | 31.5 | 1800 | 31.7 | 8.6 | 3200 | 32.3 | 15.0 | 4500 | 31.5 | 21.7 |
| | 40.8 | C36 | 35.5 | 1800 | 36.4 | 7.5 | 3200 | 35.2 | 13.8 | 4500 | 35.2 | 19.4 |
| | 36.3 | C40 | 40 | 1800 | 41.0 | 6.7 | 3200 | 39.6 | 12.3 | 4500 | 37.6 | 18.2 |
| | 32.2 | C45 | 45 | 1800 | 44.0 | 6.2 | 3200 | 43.4 | 11.2 | 4500 | 43.1 | 15.9 |
| | 29.0 | C50 | 50 | 1800 | 50.1 | 5.5 | 3200 | 50.1 | 9.7 | 4500 | 47.9 | 14.3 |
| | 25.9 | C56 | 56 | 1800 | 55.6 | 4.92 | 3200 | 53.5 | 9.1 | 4500 | 54.3 | 12.6 |
| | 23.0 | C63 | 63 | 1800 | 63.8 | 4.29 | 3200 | 63.4 | 7.7 | 4500 | 67.9 | 10.1 |
| | 20.4 | C71 | 71 | 1800 | 71.7 | 3.81 | 3200 | 69.1 | 7.0 | 4500 | 72.5 | 9.4 |
| | 18.1 | C80 | 80 | 1800 | 80.2 | 3.41 | 3200 | 77.8 | 6.2 | 4500 | 82.9 | 8.2 |
| | 16.1 | C90 | 90 | 1800 | 89.3 | 3.06 | 3200 | 85.2 | 5.7 | 4500 | 92.2 | 7.4 |
| 14.5 | D10 | 100 | 1800 | 97.8 | 2.79 | 3200 | 98.5 | 4.93 | 4500 | 104.5 | 6.5 | |
| 12.9 | D11 | 112 | 1800 | 106.4 | 2.57 | 3200 | 105.0 | 4.63 | 4500 | 117.2 | 5.8 | |
| 11.6 | D13 | 125 | 1800 | 119.6 | 2.29 | 3200 | 121.3 | 4.01 | 4500 | 133.8 | 5.1 | |
| 10.4 | D14 | 140 | 1800 | 131.0 | 2.09 | 3200 | 137.9 | 3.52 | 4500 | 142.6 | 4.79 | |
| 9.06 | D16 | 160 | 1800 | 153.8 | 1.78 | 3200 | 153.2 | 3.17 | 4500 | 163.8 | 4.17 | |
| 8.06 | D18 | 180 | 1800 | 170.9 | 1.60 | 3200 | 172.3 | 2.82 | 4500 | 184.3 | 3.71 | |
| 7.25 | D20 | 200 | 1800 | 188.0 | 1.45 | 3200 | 189.6 | 2.56 | 4500 | 203.5 | 3.36 | |
| 6.47 | D22 | 224 | | | | 3200 | 207.1 | 2.35 | 4500 | 228.9 | 2.99 | |
| 5.80 | D25 | 250 | | | | 3200 | 239.9 | 2.03 | | | | |
| 5.18 | D28 | 280 | | | | 3200 | 264.6 | 1.84 | | | | |
| 960 | 15.2 | C63 | 63 | | | | | | | | | |
| | 13.5 | C71 | 71 | | | | | | | | | |
| | 12.0 | C80 | 80 | | | | | | | | | |
| | 10.7 | C90 | 90 | | | | | | | | | |
| | 9.6 | D10 | 100 | 1800 | 97.8 | 1.85 | 3200 | 98.5 | 3.26 | 4500 | 104.5 | 4.30 |
| | 8.54 | D11 | 112 | 1800 | 106.4 | 1.70 | 3200 | 105.0 | 3.07 | 4500 | 117.2 | 3.84 |
| | 7.68 | D13 | 125 | 1800 | 119.6 | 1.52 | 3200 | 121.3 | 2.65 | 4500 | 133.8 | 3.38 |
| | 6.89 | D14 | 140 | 1800 | 131.0 | 1.38 | 3200 | 137.9 | 2.33 | 4500 | 142.6 | 3.17 |
| | 6 | D16 | 160 | 1800 | 153.8 | 1.18 | 3200 | 153.2 | 2.10 | 4500 | 163.8 | 2.76 |
| | 5.34 | D18 | 180 | 1800 | 170.9 | 1.06 | 3200 | 172.3 | 1.87 | 4500 | 184.3 | 2.46 |
| | 4.80 | D20 | 200 | 1800 | 188.0 | 0.96 | 3200 | 189.6 | 1.69 | 4500 | 203.5 | 2.22 |
| | 4.28 | D22 | 224 | | | | 3200 | 207.1 | 1.56 | 4500 | 228.9 | 1.98 |
| 3.84 | D25 | 250 | | | | 3200 | 239.9 | 1.34 | | | | |
| 3.43 | D28 | 280 | | | | 3200 | 264.6 | 1.22 | | | | |

Note: (1) Above the red line are two-stage transmission gearmotor models, model name C2...; Below the red line are three-stage transmission gearmotor models, model name C3...;
 (2) Actual output speed of the gearmotor: Actual input speed (n_1)/Exact ration (i_{ex});
 (3) Rated input power corresponding to actual input speed of the gearmotor: $P_{1N} = T_{2N} * n_1 / (9550 * i_{ex})$, the rated output torque T_{2N} in the formula remains unchanged.

| Rated Output Torque | Exact Ratio | Rated Input Power | Rated Output Torque | Exact Ratio | Rated Input Power | Rated Output Torque | Exact Ratio | Rated Input Power | Rated Output Torque | Exact Ratio | Rated Input Power |
|---------------------|-------------|-------------------|---------------------|-------------|-------------------|---------------------|-------------|-------------------|---------------------|-------------|-------------------|
| T_{2N} (N.m) | i_{ex} | P_{1N} (kW) | T_{2N} (N.m) | i_{ex} | P_{1N} (kW) | T_{2N} (N.m) | i_{ex} | P_{1N} (kW) | T_{2N} (N.m) | i_{ex} | P_{1N} (kW) |
| C212 C312 | | | C213 C313 | | | C214 C314 | | | C216 C316 | | |
| T_{2N} (N.m) | i_{ex} | P_{1N} (kW) | T_{2N} (N.m) | i_{ex} | P_{1N} (kW) | T_{2N} (N.m) | i_{ex} | P_{1N} (kW) | T_{2N} (N.m) | i_{ex} | P_{1N} (kW) |
| | | | | | | | | | | | |
| | | | 5000 | 4.07 | 187 | 10000 | 4.00 | 380 | | | |
| 4300 | 4.37 | 149 | 5000 | 4.74 | 160 | 10000 | 4.47 | 340 | 16000 | 4.42 | 549 |
| 4300 | 4.89 | 134 | 5300 | 5.26 | 153 | 10000 | 4.97 | 305 | 16000 | 4.99 | 487 |
| 4300 | 5.77 | 113 | 5300 | 5.87 | 137 | 10000 | 5.60 | 271 | 16000 | 5.76 | 422 |
| 4600 | 6.26 | 112 | 5600 | 6.48 | 131 | 10000 | 6.45 | 235 | 16000 | 6.57 | 370 |
| 5100 | 7.31 | 106 | 6000 | 7.03 | 130 | 10000 | 7.12 | 213 | 16000 | 7.04 | 345 |
| 5600 | 8.10 | 105 | 8000 | 8.08 | 150 | 13000 | 7.89 | 250 | 17000 | 7.61 | 339 |
| 5800 | 8.59 | 103 | 8000 | 9.15 | 133 | 13000 | 8.74 | 226 | 17000 | 8.80 | 293 |
| 5800 | 9.8 | 90 | 8000 | 10.5 | 115 | 13000 | 9.77 | 202 | 17000 | 10.1 | 255 |
| 5800 | 10.8 | 82 | 8000 | 11.7 | 103 | 13000 | 10.9 | 182 | 17000 | 11.6 | 223 |
| 5800 | 12.6 | 70 | 8000 | 13.0 | 94 | 13000 | 12.2 | 161 | 17000 | 12.4 | 209 |
| 5800 | 14.0 | 63 | 8000 | 14.1 | 86 | 13000 | 14.1 | 140 | 17000 | 13.4 | 193 |
| 5800 | 16.9 | 52 | 8000 | 16.2 | 75 | 13000 | 15.6 | 127 | 18000 | 15.5 | 177 |
| 5800 | 18.9 | 46.6 | 8000 | 18.3 | 66 | 13000 | 17.3 | 114 | 18000 | 17.3 | 158 |
| 5800 | 20.9 | 42.1 | 8000 | 20.4 | 60 | 13000 | 19.2 | 103 | 18000 | 19.5 | 140 |
| 5800 | 22.0 | 40 | 8000 | 22.6 | 54 | 13000 | 21.8 | 91 | 18000 | 21.5 | 127 |
| 6000 | 23.5 | 38.8 | 8000 | 25.1 | 48.3 | 13000 | 24.2 | 82 | 18000 | 24.2 | 113 |
| 6300 | 26.9 | 35.6 | 8000 | 29.4 | 41.4 | 13000 | 29.5 | 67 | 18000 | 27.2 | 100 |
| 6300 | 30.1 | 31.8 | 8200 | 32.5 | 38.3 | 14000 | 32.7 | 65 | 18000 | 30.3 | 90 |
| 6300 | 35.5 | 26.9 | 8200 | 35.1 | 35.5 | 14000 | 36.5 | 58 | 18000 | 34.2 | 80 |
| 6300 | 39.8 | 24.0 | 8200 | 39.3 | 31.7 | 14000 | 40.3 | 53 | 18000 | 39.4 | 69 |
| 6300 | 42.5 | 22.5 | 8200 | 46.4 | 26.8 | 14000 | 43.7 | 48.6 | 18000 | 43.4 | 63 |
| 6300 | 48.6 | 19.7 | 8200 | 50.3 | 24.7 | 14000 | 50.3 | 42.3 | 18000 | 48.1 | 57 |
| 6300 | 54.1 | 17.7 | 8200 | 58.7 | 21.2 | 14000 | 55.3 | 38.4 | 18000 | 53.5 | 51 |
| 6300 | 61.3 | 15.6 | 8200 | 65.1 | 19.1 | 14000 | 64.5 | 33.0 | 18000 | 60.8 | 45.0 |
| 6300 | 73.5 | 13.0 | 8000 | 69.0 | 17.6 | 14000 | 71.6 | 29.7 | 18000 | 69.2 | 39.5 |
| 6300 | 84.0 | 11.4 | 8000 | 78.5 | 15.5 | 14000 | 79.8 | 26.6 | 18000 | 76.3 | 35.8 |
| 6300 | 93.4 | 10.2 | 8000 | 87.8 | 13.8 | 13500 | 88.1 | 23.3 | 18000 | 84.5 | 32.3 |
| 6300 | 105.9 | 9.03 | 8000 | 97.5 | 12.5 | 13500 | 95.6 | 21.4 | 18000 | 94.1 | 29.1 |
| 6300 | 118.7 | 8.06 | 8200 | 114.1 | 10.9 | 13500 | 109.9 | 18.6 | 18000 | 106.7 | 25.6 |
| 6300 | 135.5 | 7.06 | 8200 | 122.7 | 10.1 | 13500 | 124.5 | 16.5 | 18000 | 118.6 | 23.1 |
| 6300 | 144.4 | 6.62 | 8200 | 137.9 | 9.0 | 13500 | 138.6 | 14.8 | 18000 | 134.7 | 20.3 |
| 6300 | 166.0 | 5.76 | 8200 | 158.7 | 7.8 | 13500 | 153.4 | 13.4 | 18000 | 154.6 | 17.7 |
| 6300 | 186.7 | 5.12 | 8200 | 176.6 | 7.1 | 13500 | 179.1 | 11.4 | 18000 | 174.8 | 15.6 |
| 6300 | 206.3 | 4.64 | 8200 | 207.7 | 6.0 | 13500 | 190.0 | 10.8 | 18000 | 191.9 | 14.2 |
| 6300 | 231.9 | 4.12 | 8200 | 225.4 | 5.5 | 14000 | 215.5 | 9.9 | 18000 | 212.0 | 12.9 |
| 6300 | 252.4 | 3.79 | | | | 14000 | 245.9 | 8.6 | | | |
| 6300 | 274.2 | 3.49 | | | | 14000 | 276.7 | 7.7 | | | |
| | | | | | | | | | | | |
| | | | | | | | | | | | |
| | | | | | | | | | | | |
| 6300 | 105.9 | 6 | 8000 | 97.5 | 8.3 | | | | | | |
| 6300 | 118.7 | 5.3 | 8200 | 114.1 | 7.2 | | | | | | |
| 6300 | 135.5 | 4.67 | 8200 | 122.7 | 6.7 | | | | | | |
| 6300 | 144.4 | 4.38 | 8200 | 137.9 | 6.0 | | | | | | |
| 6300 | 166.0 | 3.81 | 8200 | 158.7 | 5.2 | 13500 | 153.4 | 8.9 | 18000 | 154.6 | 11.7 |
| 6300 | 186.7 | 3.39 | 8200 | 176.6 | 4.70 | 13500 | 179.1 | 7.6 | 18000 | 174.8 | 10.3 |
| 6300 | 206.3 | 3.07 | 8200 | 207.7 | 3.97 | 13500 | 190.0 | 7.2 | 18000 | 191.9 | 9.4 |
| 6300 | 231.9 | 2.73 | 8200 | 225.4 | 3.64 | 14000 | 215.5 | 6.6 | 18000 | 212.0 | 8.5 |
| 6300 | 252.4 | 2.51 | | | | 14000 | 245.9 | 5.7 | | | |
| 6300 | 274.2 | 2.31 | | | | 14000 | 276.7 | 5.1 | | | |

5.2 C.../C... Combi-type transmission capacity

C.../C... (i_N=100-18000)

| Nominal input Speed | Nominal output Speed | Nominal Ratio Code | Nominal Ratio | Rated Output Torque | Exact Ratio | Rated Input Power | Rated Output Torque | Exact Ratio | Rated Input Power | |
|---------------------------|----------------------------|--------------------|----------------|--------------------------|-----------------|-------------------------|--------------------------|-----------------|-------------------------|--|
| n ₁ (r/min) | n _{2N} (r/min) | Code | i _N | T _{2N} (N·m) | i _{ex} | P _{1N} (kW) | T _{2N} (N·m) | i _{ex} | P _{1N} (kW) | |
| 1450 | 14.50 | D10 | 100 | 200 | 97.70 | 0.31 | 270 | 105.9 | 0.39 | |
| | 12.90 | D11 | 112 | 200 | 115.3 | 0.26 | 270 | 117.5 | 0.35 | |
| | 11.60 | D13 | 125 | 200 | 128.5 | 0.24 | 270 | 134.6 | 0.30 | |
| | 10.36 | D14 | 140 | 200 | 143.6 | 0.21 | 270 | 147.8 | 0.28 | |
| | 9.06 | D16 | 160 | 200 | 152.5 | 0.20 | 270 | 166.3 | 0.25 | |
| | | | | | C203/C201 | | | C204/C203 | | |
| | 8.06 | D18 | 180 | 200 | 181.4 | 0.17 | 270 | 178.2 | 0.23 | |
| | | | | | C203/C301 | | | C204/C303 | | |
| | 7.25 | D20 | 200 | 200 | 207.9 | 0.15 | 270 | 202.0 | 0.20 | |
| | 6.47 | D22 | 224 | 200 | 236.9 | 0.13 | 270 | 228.4 | 0.18 | |
| | | | | | C303/C201 | | | C304/C203 | | |
| | 5.80 | D25 | 250 | 200 | 236.0 | 0.13 | 300 | 243.5 | 0.19 | |
| | 5.18 | D28 | 280 | 200 | 267.4 | 0.11 | 300 | 275.1 | 0.17 | |
| | 4.60 | D32 | 315 | 200 | 315.7 | | 300 | 305.3 | 0.15 | |
| | 4.08 | D36 | 355 | 200 | 351.9 | | 300 | 349.9 | 0.13 | |
| | 3.63 | D40 | 400 | 200 | 393.3 | | 300 | 384.2 | 0.12 | |
| | 3.22 | D45 | 450 | 200 | 417.5 | | 300 | 384.2 | 0.12 | |
| | | | | | C303/C301 | | | C304/C303 | | |
| | 2.90 | D50 | 500 | 200 | 496.8 | | 300 | 463.1 | | |
| | | | | | C303/C301 | | | C304/C303 | | |
| | 2.59 | D56 | 560 | 200 | 569.3 | | 300 | 524.8 | | |
| | 2.30 | D63 | 630 | 200 | 648.6 | | 300 | 593.4 | | |
| | 2.04 | D71 | 710 | 200 | 703.8 | | 300 | 675.7 | | |
| | 1.81 | D80 | 800 | 200 | 765.9 | | 300 | 761.5 | | |
| | 1.61 | D90 | 900 | 200 | 848.7 | | 300 | 864.4 | | |
| | 1.45 | E10 | 1000 | 200 | 948.8 | | 300 | 922.7 | | |
| | 1.29 | E11 | 1120 | 200 | 1114 | | 300 | 1039 | | |
| | 1.16 | E13 | 1250 | 200 | 1221 | | 300 | 1183 | | |
| | 1.04 | E14 | 1400 | 200 | 1325 | | 300 | 1341 | | |
| | 0.91 | E16 | 1600 | 200 | 1597 | | 300 | 1516 | | |
| | 0.81 | E18 | 1800 | 200 | 1787 | | 300 | 1633 | | |
| | 0.73 | E20 | 2000 | 200 | 1898 | | 300 | 1911 | | |
| | 0.65 | E22 | 2240 | 200 | 3843 | | 300 | 2168 | | |
| | 0.58 | E25 | 2500 | 200 | 2427 | | 300 | 2455 | | |
| | 0.52 | E28 | 2800 | 200 | 2926 | | 300 | 2776 | | |
| | 0.46 | E32 | 3150 | 200 | 3274 | | 300 | 2989 | | |
| | 0.41 | E36 | 3550 | 200 | 3476 | | 300 | 3498 | | |
| | 0.36 | E40 | 4000 | 200 | 3843 | | 300 | 3969 | | |
| | 0.32 | E45 | 4500 | 200 | 4506 | | 300 | 4371 | | |
| | 0.29 | E50 | 5000 | 200 | 5119 | | 300 | 4779 | | |
| | 0.26 | E56 | 5600 | 200 | 5524 | | 300 | 5225 | | |
| | 0.23 | E63 | 6300 | | | | 300 | 6243 | | |
| | 0.20 | E71 | 7100 | | | | 300 | 6826 | | |
| | 0.18 | E80 | 8000 | | | | 300 | 7463 | | |
| | 0.16 | E90 | 9000 | | | | | | | |
| 0.15 | F10 | 10000 | | | | | | | | |
| 0.13 | F11 | 11200 | | | | | | | | |
| 0.12 | F13 | 12500 | | | | | | | | |
| 0.10 | F14 | 14000 | | | | | | | | |
| 0.09 | F16 | 16000 | | | | | | | | |
| 0.08 | F18 | 18000 | | | | | | | | |

C.../C... Combi-type transmission capacity

C.../C... ($i_N=100-18000$)

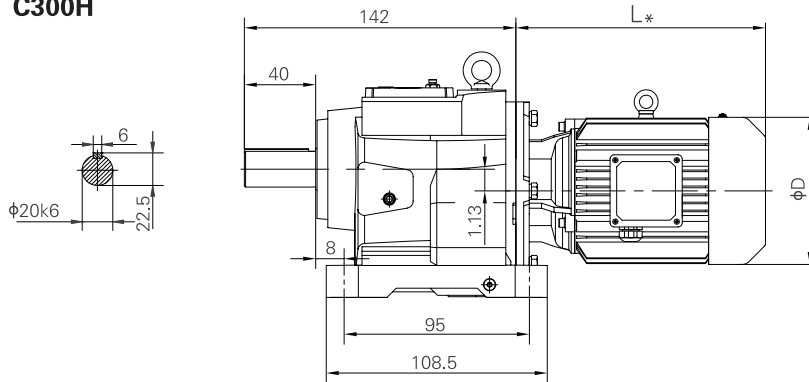
| Nominal input Speed | Nominal output Speed | Nominal Ratio Code | Nominal Ratio | Rated Output Torque | Exact Ratio | Rated Input Power | Rated Output Torque | Exact Ratio | Rated Input Power | Rated Output Torque | Exact Ratio | Rated Input Power | |
|---------------------|----------------------|--------------------|---------------|---------------------|-------------|-------------------|---------------------|-------------|-------------------|---------------------|-------------|-------------------|--|
| n_1 (r/min) | n_{2N} (r/min) | Code | i_N | T_{2N} (N·m) | i_{ex} | P_{1N} (kW) | T_{2N} (N·m) | i_{ex} | P_{1N} (kW) | T_{2N} (N·m) | i_{ex} | P_{1N} (kW) | |
| 1450 | 14.50 | D10 | 100 | 1300 | 101.3 | 1.95 | 2300 | 96.6 | 3.62 | 4300 | 101.6 | 6.42 | |
| | 12.90 | D11 | 112 | 1300 | 115.1 | 1.72 | 2300 | 109.6 | 3.19 | 4300 | 112.6 | 5.80 | |
| | 11.60 | D13 | 125 | 1300 | 122.7 | 1.61 | 2300 | 116.9 | 2.99 | 4300 | 128.8 | 5.07 | |
| | 10.36 | D14 | 140 | 1300 | 137.2 | 1.44 | 2300 | 130.7 | 2.67 | 4300 | 145.0 | 4.50 | |
| | | | | | | | | | | | C210/C307 | | |
| | 9.06 | D16 | 160 | 1300 | 152.4 | 1.30 | 2300 | 145.2 | 2.41 | 4300 | 157.5 | 4.15 | |
| | 8.06 | D18 | 180 | 1300 | 190.5 | 1.04 | 2300 | 181.5 | 1.92 | 4300 | 181.3 | 3.60 | |
| | 7.25 | D20 | 200 | 1300 | 208.3 | 0.95 | 2300 | 198.4 | 1.76 | 4300 | 192.5 | 3.39 | |
| | 6.47 | D22 | 224 | 1300 | 237.5 | 0.83 | 2300 | 226.3 | 1.54 | 4300 | 221.3 | 2.95 | |
| | | | | | C308/C205 | | | C309/C205 | | | C310/C207 | | |
| | 5.80 | D25 | 250 | 1800 | 263.9 | 1.04 | 3200 | 255.2 | 1.90 | 4500 | 251.3 | 2.72 | |
| | 5.18 | D28 | 280 | 1800 | 290.5 | 0.94 | 3200 | 280.9 | 1.73 | 4500 | 286.2 | 2.39 | |
| | 4.60 | D32 | 315 | 1800 | 329.8 | 0.83 | 3200 | 318.9 | 1.52 | 4500 | 317.2 | 2.15 | |
| | 4.08 | D36 | 355 | 1800 | 351.6 | 0.78 | 3200 | 340.0 | 1.43 | 4500 | 362.6 | 1.88 | |
| | 3.63 | D40 | 400 | 1800 | 393.1 | 0.70 | 3200 | 380.2 | 1.28 | 4500 | 408.3 | 1.67 | |
| | | | | | | | | | | | C310/C307 | | |
| | 3.22 | D45 | 450 | 1800 | 436.8 | 0.63 | 3200 | 422.4 | 1.15 | 4500 | 443.5 | 1.54 | |
| | 2.90 | D50 | 500 | 1800 | 546.0 | 0.50 | 3200 | 528.0 | 0.92 | 4500 | 510.4 | 1.34 | |
| | 2.59 | D56 | 560 | 1800 | 597.0 | 0.46 | 3200 | 577.3 | 0.84 | 4500 | 542.1 | 1.26 | |
| | 2.30 | D63 | 630 | 1800 | 680.7 | 0.40 | 3200 | 658.2 | 0.74 | 4500 | 623.0 | 1.10 | |
| | 2.04 | D71 | 710 | 1800 | 724.4 | 0.38 | 3200 | 700.5 | 0.69 | 4500 | 728.6 | 0.94 | |
| | | | | | C308/C305 | | | C309/C305 | | | | | |
| | 1.81 | D80 | 800 | 1800 | 815.4 | 0.34 | 3200 | 788.5 | 0.62 | 4500 | 816.6 | 0.84 | |
| | 1.61 | D90 | 900 | 1800 | 917.3 | 0.30 | 3200 | 887.0 | 0.55 | 4500 | 932.8 | 0.73 | |
| | | | | | | | | | | | | | |
| | 1.45 | E10 | 1000 | 1800 | 1034 | 0.26 | 3200 | 1000 | 0.49 | 4500 | 996.2 | 0.69 | |
| | 1.29 | E11 | 1120 | 1800 | 1147 | 0.24 | 3200 | 1109 | 0.44 | 4500 | 1140 | 0.60 | |
| | 1.16 | E13 | 1250 | 1800 | 1314 | 0.21 | 3200 | 1271 | 0.38 | 4500 | 1299 | 0.53 | |
| | 1.04 | E14 | 1400 | 1800 | 1445 | 0.19 | 3200 | 1397 | 0.35 | 4500 | 1338 | 0.51 | |
| | 0.91 | E16 | 1600 | 1800 | 1714 | 0.16 | 3200 | 1658 | 0.29 | 4500 | 1535 | 0.45 | |
| | 0.81 | E18 | 1800 | 1800 | 1904 | 0.14 | 3200 | 1841 | 0.26 | 4500 | 1742 | 0.39 | |
| | 0.73 | E20 | 2000 | 1800 | 2180 | 0.13 | 3200 | 2108 | 0.23 | 4500 | 1950 | 0.35 | |
| | 0.65 | E22 | 2240 | 1800 | 2395 | 0.11 | 3200 | 2316 | 0.21 | 4500 | 2172 | 0.31 | |
| | 0.58 | E25 | 2500 | 1800 | 2533 | | 3200 | 2517 | 0.19 | 4500 | 2580 | 0.26 | |
| | 0.52 | E28 | 2800 | 1800 | 3005 | | 3200 | 2986 | 0.16 | 4500 | 2960 | 0.23 | |
| | 0.46 | E32 | 3150 | 1800 | 3337 | | 3200 | 3316 | 0.15 | 4500 | 3361 | 0.20 | |
| | 0.41 | E36 | 3550 | 1800 | 3822 | | 3200 | 3798 | 0.13 | 4500 | 3762 | 0.18 | |
| | 0.36 | E40 | 4000 | 1800 | 4198 | | 3200 | 4172 | 0.12 | 4500 | 4189 | 0.16 | |
| | 0.32 | E45 | 4500 | 1800 | 4734 | | 3200 | 4704 | 0.10 | 4500 | 4604 | 0.15 | |
| | 0.29 | E50 | 5000 | 1800 | 5059 | | 3200 | 5028 | | 4500 | 5228 | 0.13 | |
| | 0.26 | E56 | 5600 | 1800 | 5882 | | 3200 | 5845 | | 4500 | 6505 | 0.11 | |
| | 0.23 | E63 | 6300 | 1800 | 6626 | | 3200 | 6322 | | 4500 | 6912 | | |
| | 0.20 | E71 | 7100 | 1500 | 7081 | | 2800 | 6756 | | 4500 | 7099 | | |
| | 0.18 | E80 | 8000 | 1500 | 8233 | | 2800 | 7855 | | 4500 | 8833 | | |
| | 0.16 | E90 | 9000 | 1500 | 9260 | | 2800 | 8835 | | 4500 | 9386 | | |
| | 0.15 | F10 | 10000 | 1500 | 10118 | | 2800 | 9653 | | 4500 | 10852 | | |
| | 0.13 | F11 | 11200 | 1500 | 11091 | | 2800 | 10582 | | 4500 | 11479 | | |
| | 0.12 | F13 | 12500 | 1500 | 12056 | | 2800 | 11502 | | 4500 | 12908 | | |
| 0.10 | F14 | 14000 | | | | | | | 4500 | 13729 | | | |
| 0.09 | F16 | 16000 | | | | | | | 4500 | 15508 | | | |
| 0.08 | F18 | 18000 | | | | | | | | | | | |

| Rated Output Torque | Exact Ratio | Rated Input Power | Rated Output Torque | Exact Ratio | Rated Input Power | Rated Output Torque | Exact Ratio | Rated Input Power |
|---------------------|-------------|-------------------|---------------------|-------------|-------------------|---------------------|-------------|-------------------|
| T_{2N} (N · m) | i_{ex} | P_{1N} (kW) | T_{2N} (N · m) | i_{ex} | P_{1N} (kW) | T_{2N} (N · m) | i_{ex} | P_{1N} (kW) |
| C213/C207 | | | C214/C208 | | | C216/C210 | | |
| 7300 | 105.7 | 10.49 | 14000 | 97.2 | 21.9 | 16000 | 94.2 | 25.8 |
| 7300 | 117.1 | 9.46 | 14000 | 112.2 | 18.9 | 16000 | 107.1 | 22.7 |
| 7300 | 133.9 | 8.28 | 14000 | 126.9 | 16.8 | 16000 | 119.9 | 20.3 |
| 7300 | 150.8 | 7.35 | 14000 | 137.9 | 15.4 | 16000 | 132.7 | 18.3 |
| C213/C307 | | | | | | | | |
| 7300 | 163.8 | 6.77 | 14000 | 154.9 | 13.7 | 16000 | 155.0 | 15.7 |
| 7300 | 188.5 | 5.88 | 14000 | 169.6 | 12.5 | 16000 | 171.1 | 14.2 |
| 7300 | 200.2 | 5.54 | 14000 | 196.4 | 10.8 | 16000 | 181.0 | 13.4 |
| 7300 | 230.1 | 4.82 | 14000 | 209.8 | 10.1 | 16000 | 205.8 | 11.8 |
| C313/C207 | | | C314/C207 | | | C316/C209 | | |
| 8200 | 250.6 | 4.97 | 14000 | 260.6 | 8.2 | 18000 | 241.5 | 11.3 |
| 8200 | 285.4 | 4.36 | 14000 | 296.7 | 7.2 | 18000 | 268.5 | 10.2 |
| 8200 | 316.3 | 3.94 | 14000 | 328.9 | 6.5 | 18000 | 304.7 | 9.0 |
| 8200 | 361.5 | 3.44 | 14000 | 376.0 | 5.7 | 18000 | 345.4 | 7.9 |
| 8200 | 407.2 | 3.06 | 14000 | 423.4 | 5.02 | 18000 | 389.9 | 7.0 |
| C313/C307 | | | C314/C307 | | | | | |
| 8200 | 442.3 | 2.82 | 14000 | 459.9 | 4.62 | 18000 | 413.8 | 6.6 |
| 8200 | 509.0 | 2.45 | 14000 | 529.3 | 4.02 | 18000 | 475.4 | 5.8 |
| 8200 | 540.5 | 2.30 | 14000 | 562.1 | 3.78 | 18000 | 526.7 | 5.2 |
| 8200 | 621.3 | 2.00 | 14000 | 646.1 | 3.29 | 18000 | 598.5 | 4.57 |
| 8200 | 726.6 | 1.71 | 14000 | 755.6 | 2.81 | 18000 | 670.3 | 4.08 |
| | | | | | | | | |
| 8200 | 814.3 | 1.53 | 14000 | 846.8 | 2.51 | 18000 | 766.1 | 3.57 |
| 8200 | 930.2 | 1.34 | 14000 | 967.3 | 2.20 | 18000 | 817.4 | 3.34 |
| | | | | | | C316/C309 | | |
| 8200 | 993.3 | 1.25 | 14000 | 1033 | 2.06 | 18000 | 954.2 | 2.86 |
| 8200 | 1137 | 1.09 | 14000 | 1183 | 1.80 | 18000 | 1105 | 2.47 |
| 8200 | 1295 | 0.96 | 14000 | 1347 | 1.58 | 18000 | 1204 | 2.27 |
| 8200 | 1334 | 0.93 | 14000 | 1387 | 1.53 | 18000 | 1354 | 2.02 |
| 8200 | 1530 | 0.81 | 14000 | 1591 | 1.34 | 18000 | 1484 | 1.84 |
| 8200 | 1737 | 0.72 | 14000 | 1807 | 1.18 | 18000 | 1713 | 1.60 |
| 8200 | 1945 | 0.64 | 14000 | 2022 | 1.05 | 18000 | 1830 | 1.49 |
| 8200 | 2166 | 0.57 | 14000 | 2252 | 0.94 | 18000 | 2168 | 1.26 |
| 8200 | 2474 | 0.50 | 14000 | 2451 | 0.87 | 18000 | 2408 | 1.14 |
| 8200 | 2838 | 0.44 | 14000 | 2812 | 0.76 | 18000 | 2639 | 1.04 |
| 8200 | 3222 | 0.39 | 14000 | 3193 | 0.67 | 18000 | 3046 | 0.90 |
| 8200 | 3607 | 0.35 | 14000 | 3573 | 0.59 | 18000 | 3253 | 0.84 |
| 8200 | 4017 | 0.31 | 14000 | 3980 | 0.53 | 18000 | 3855 | 0.71 |
| 8200 | 4414 | 0.28 | 14000 | 4373 | 0.49 | 18000 | 4201 | 0.65 |
| 8200 | 5013 | 0.25 | 14000 | 4967 | 0.43 | 18000 | 4730 | 0.58 |
| 8200 | 6237 | 0.20 | 14000 | 6179 | 0.34 | 18000 | 5180 | 0.53 |
| 8200 | 6627 | 0.19 | 14000 | 6566 | 0.32 | 18000 | 5839 | 0.47 |
| 8000 | 6761 | 0.18 | 13500 | 6784 | 0.30 | 17000 | 6574 | 0.39 |
| 8000 | 8411 | 0.14 | 13500 | 8440 | 0.24 | 17000 | 7199 | 0.36 |
| 8000 | 8938 | 0.14 | 13500 | 8969 | 0.23 | 17000 | 8323 | 0.31 |
| 8000 | 10334 | 0.12 | 13500 | 10369 | 0.20 | 17000 | 8873 | 0.29 |
| 8000 | 10931 | 0.11 | 13500 | 10968 | 0.19 | 17000 | 10250 | 0.25 |
| 8000 | 12292 | | 13500 | 12334 | 0.17 | 17000 | 11653 | 0.22 |
| 8000 | 13073 | | 13500 | 13118 | 0.16 | 17000 | 12945 | 0.20 |
| 8000 | 14768 | | 13500 | 14818 | 0.14 | 17000 | 14559 | 0.18 |
| | | | | | | 17000 | 16021 | 0.16 |

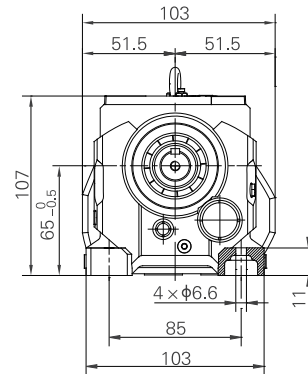
6 Dimensions

C200/C300 Dimensions

**C200H
C300H**

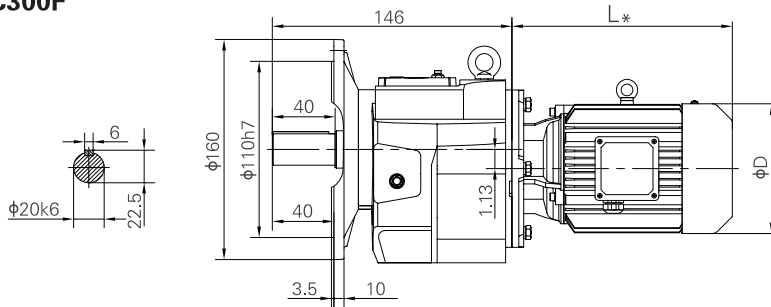


Horizontal foot-mounted

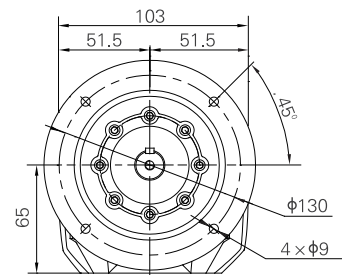


Weight: 4kg (Without motor and oil)

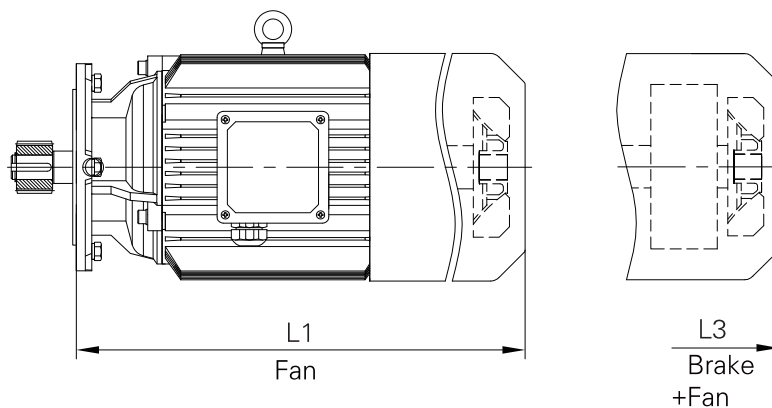
**C200F
C300F**



Flange-mounted



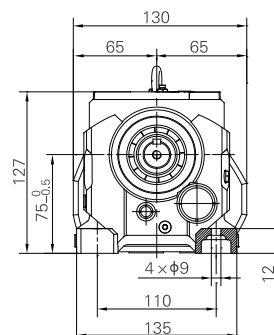
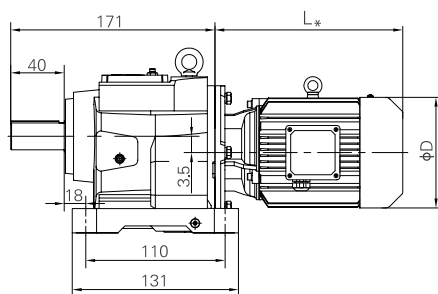
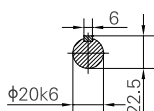
Weight: 5kg (Without motor and oil)



| Directly connected motor dimension table | | | | | | | | | Directly connected motor weight table/kg | | | | | |
|--|----------------|-----|-----|-----|-----|-----|-----|-----|--|----|----|----|----|----|
| 4-pole power (kW) | Range of Ratio | MS | | MH | | MP | | D | MS | | MH | | MP | |
| | | L1 | L3 | L1 | L3 | L1 | L3 | | M1 | M3 | M1 | M3 | M1 | M3 |
| 0.09 | 3.15-71 | 179 | 214 | / | / | / | / | 116 | 5 | 7 | / | / | / | / |
| 0.12 | 3.15-71 | 179 | 214 | / | / | / | / | 116 | 5 | 7 | / | / | / | / |
| 0.18 | 3.15-50 | / | 233 | 198 | 233 | 198 | 233 | 124 | / | 9 | 7 | 9 | 7 | 9 |
| 0.25 | 3.15-35.5 | 198 | 233 | / | / | / | / | 124 | 7 | 9 | / | / | / | / |
| 0.37 | 3.15-25 | / | 246 | 211 | 246 | 211 | 246 | 139 | / | 11 | 9 | 11 | 9 | 11 |

C201/C301 Dimensions

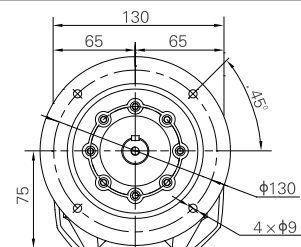
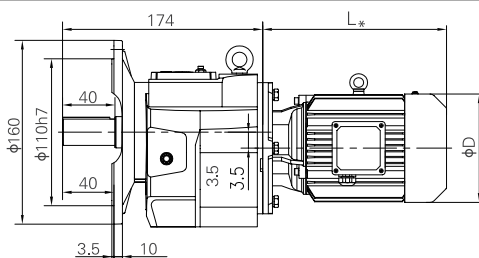
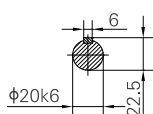
**C201H
C301H**



Horizontal foot-mounted

Weight: 7kg (Without motor and oil)

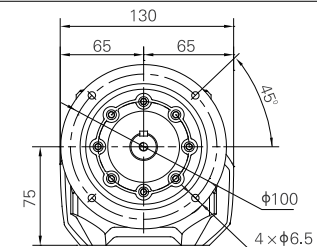
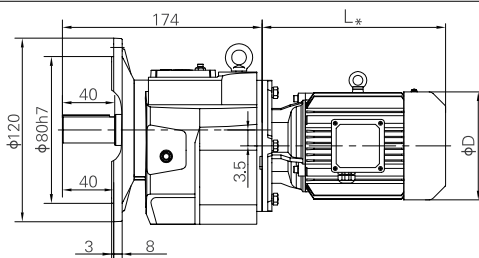
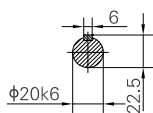
**C201F
C301F**



Flange-mounted

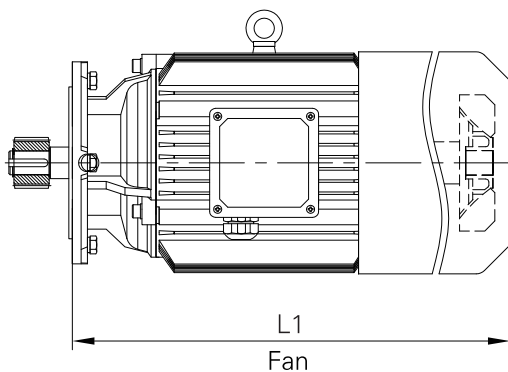
Weight: 8kg (Without motor and oil)

**C201S
C301S**

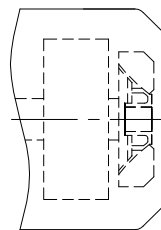


Short flange-mounted

Weight: 8kg (Without motor and oil)



Fan



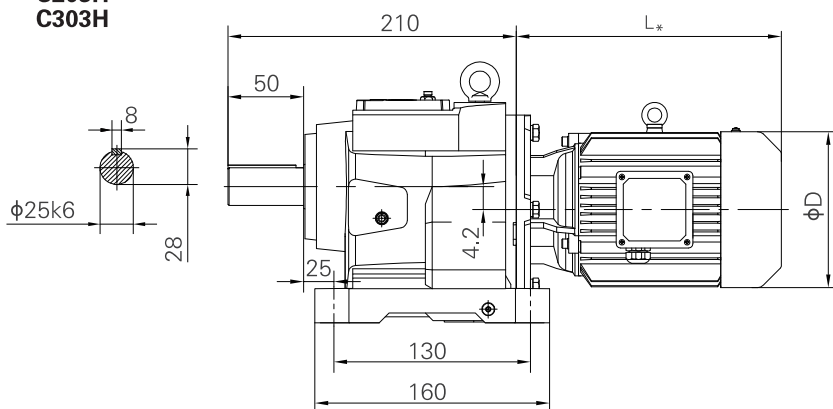
L3
Brake
+Fan

Directly connected motor dimension table

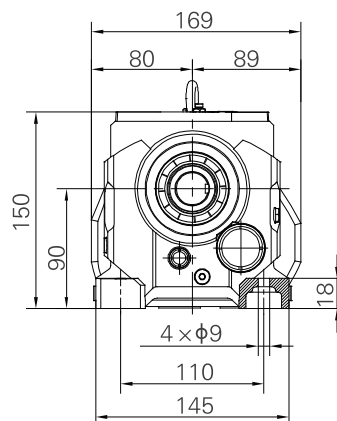
| 4-pole power (kW) | Range of Ratio | Directly connected motor dimension table | | | | | | D | Directly connected motor weight table/kg | | | | | |
|----------------------|-------------------|--|-----|-----|-----|-----|-----|-----|--|----|----|----|----|----|
| | | MS | | MH | | MP | | | MS | | MH | | MP | |
| | | L1 | L3 | L1 | L3 | L1 | L3 | | M1 | M3 | M1 | M3 | M1 | M3 |
| 0.12 | 3.55-90 | / | 241 | 206 | 241 | 206 | 241 | 124 | / | 9 | 7 | 9 | 7 | 9 |
| 0.18 | 3.55-90 | / | 241 | 206 | 241 | 206 | 241 | 124 | / | 9 | 7 | 9 | 7 | 9 |
| 0.25 | 3.55-63 | 206 | 241 | / | / | / | / | 124 | 7 | 9 | / | / | / | / |
| 0.37 | 3.55-40 | / | 253 | 218 | 253 | 218 | 253 | 139 | / | 11 | 9 | 11 | 9 | 11 |
| 0.55 | 3.55-31.5 | 218 | 253 | / | / | / | / | 139 | 9 | 11 | / | / | / | / |

C203/C303 Dimensions

**C203H
C303H**

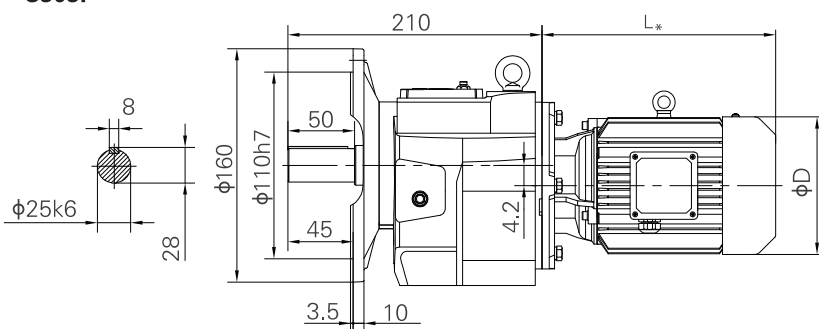


Horizontal foot-mounted

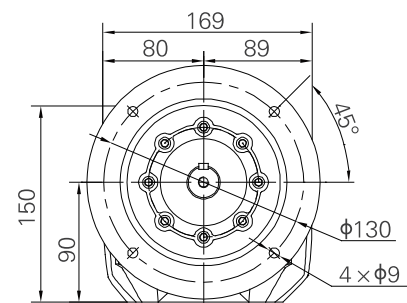


Weight: 8kg (Without motor and oil)

**C203F
C303F**

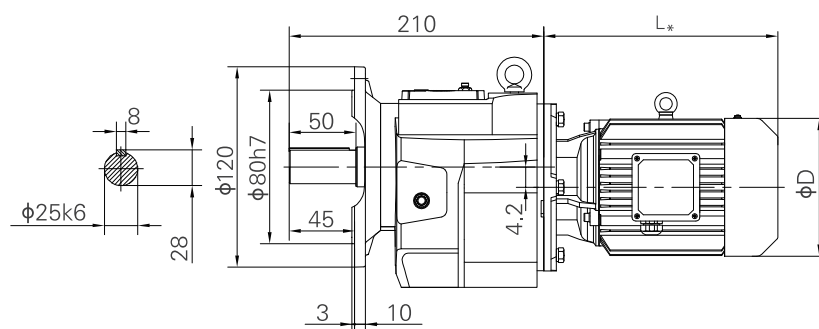


Flange-mounted

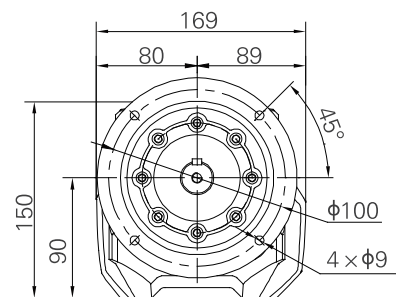


Weight: 9kg (Without motor and oil)

**C203S
C303S**

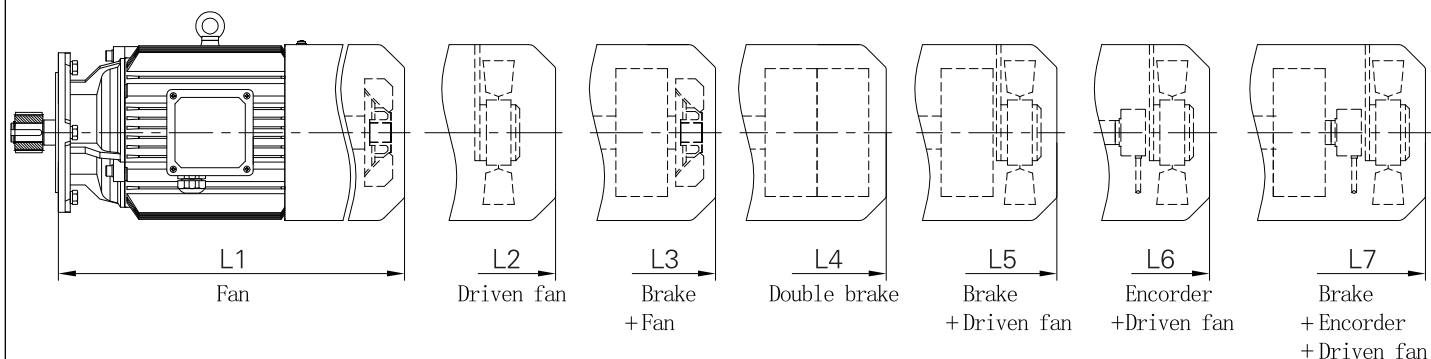


Short flange-mounted



Weight: 9kg (Without motor and oil)

Corresponding motor dimension table for C203/C303



Directly connected motor dimension table

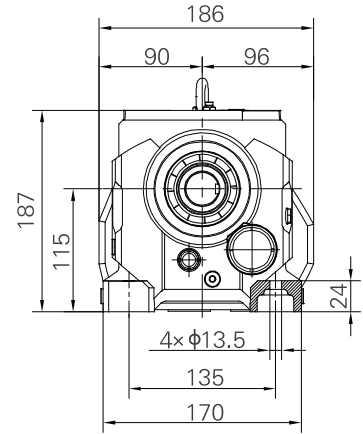
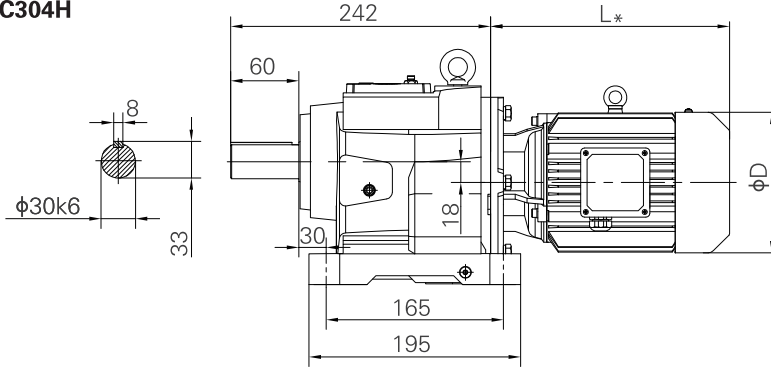
| 4-pole power (kW) | Range of Ratio | MS | | | | | | | MH | | | | | | | MP | | | | | | | D |
|-------------------|----------------|-----|-----|-----|-----|-----|-----|-----|-----|-----|-----|-----|-----|-----|-----|-----|-----|-----|-----|-----|-----|--|---|
| | | L1 | L2 | L3 | L4 | L5 | L6 | L7 | L1 | L2 | L3 | L5 | L6 | L7 | L1 | L2 | L3 | L5 | L6 | L7 | | | |
| 0.12 | 63-90 | / | 261 | 241 | / | 296 | / | / | 206 | 261 | 241 | 296 | / | / | 206 | 261 | 241 | 296 | / | / | 124 | | |
| 0.18 | 45-90 | / | 261 | 241 | / | 296 | / | / | 206 | 261 | 241 | 296 | / | / | 206 | 261 | 241 | 296 | / | / | 124 | | |
| 0.25 | 31.5-90 | / | 268 | 263 | / | 313 | 313 | 353 | 223 | 268 | 263 | 313 | 313 | 353 | 223 | 268 | 263 | 313 | 313 | 353 | 139 | | |
| 0.37 | 22.4-90 | / | 268 | 263 | / | 313 | 313 | 353 | 223 | 268 | 263 | 313 | 313 | 353 | 223 | 268 | 263 | 313 | 313 | 353 | 139 | | |
| 0.55 | 16-71 | 299 | 344 | 359 | 419 | 404 | 404 | 454 | 299 | 344 | 359 | 404 | 404 | 454 | 299 | 344 | 359 | 404 | 404 | 454 | 162 | | |
| 0.75 | 10-50 | 299 | 344 | 359 | 419 | 404 | 404 | 454 | 299 | 344 | 359 | 404 | 404 | 454 | 299 | 344 | 359 | 404 | 404 | 454 | 162 | | |
| 1.1 | 5.6-35.5 | 322 | 367 | 377 | 437 | 422 | 422 | 477 | 322 | 367 | 377 | 422 | 422 | 477 | 322 | 367 | 377 | 422 | 422 | 477 | 176 | | |
| 1.5 | 4-25 | 322 | 367 | 377 | 437 | 422 | 422 | 477 | 322 | 367 | 377 | 422 | 422 | 477 | 347 | 392 | 402 | 447 | 447 | 502 | 176 | | |
| 2.2 | 4-18 | 394 | 434 | 469 | 529 | 509 | 509 | 564 | 394 | 434 | 469 | 509 | 509 | 564 | 394 | 434 | 469 | 509 | 509 | 564 | 202 | | |
| 3 | 4-12.5 | 394 | 434 | 469 | 529 | 509 | 509 | 564 | 394 | 434 | 469 | 509 | 509 | 564 | 394 | 434 | 469 | 509 | 509 | 564 | 202 | | |

Directly connected motor weight table / kg

| 4-pole power (kW) | Range of Ratio | MS | | | | | | | MH | | | | | | | MP | | | | | | |
|-------------------|----------------|----|----|----|----|----|----|----|----|----|----|----|----|----|----|----|----|----|----|----|--|--|
| | | M1 | M2 | M3 | M4 | M5 | M6 | M7 | M1 | M2 | M3 | M5 | M6 | M7 | M1 | M2 | M3 | M5 | M6 | M7 | | |
| 0.12 | 63-90 | / | 8 | 9 | / | 9 | / | / | 7 | 8 | 9 | 9 | / | / | 7 | 8 | 9 | 9 | / | / | | |
| 0.18 | 45-90 | / | 8 | 9 | / | 9 | / | / | 7 | 8 | 9 | 9 | / | / | 8 | 9 | 10 | 10 | / | / | | |
| 0.25 | 31.5-90 | / | 9 | 10 | / | 11 | 10 | 12 | 8 | 9 | 10 | 11 | 10 | 12 | 9 | 10 | 11 | 12 | 11 | 13 | | |
| 0.37 | 22.4-90 | / | 10 | 11 | / | 12 | 11 | 13 | 9 | 10 | 11 | 12 | 11 | 13 | 10 | 11 | 12 | 13 | 12 | 14 | | |
| 0.55 | 16-71 | 13 | 14 | 17 | 21 | 18 | 15 | 19 | 14 | 15 | 18 | 19 | 16 | 20 | 15 | 16 | 19 | 20 | 17 | 21 | | |
| 0.75 | 10-50 | 14 | 15 | 18 | 22 | 19 | 16 | 20 | 15 | 16 | 19 | 20 | 17 | 21 | 16 | 17 | 20 | 21 | 18 | 22 | | |
| 1.1 | 5.6-35.5 | 16 | 17 | 20 | 24 | 21 | 18 | 22 | 18 | 19 | 22 | 23 | 20 | 24 | 21 | 22 | 25 | 26 | 23 | 27 | | |
| 1.5 | 4-25 | 17 | 18 | 21 | 25 | 22 | 19 | 23 | 19 | 20 | 23 | 24 | 21 | 25 | 23 | 24 | 27 | 28 | 25 | 29 | | |
| 2.2 | 4-18 | 27 | 28 | 35 | 42 | 36 | 29 | 37 | 30 | 31 | 38 | 39 | 32 | 40 | 32 | 33 | 40 | 41 | 34 | 42 | | |
| 3 | 4-12.5 | 30 | 31 | 38 | 45 | 39 | 32 | 40 | 33 | 34 | 41 | 42 | 35 | 43 | 36 | 37 | 44 | 45 | 38 | 46 | | |

C204/C304 Dimensions

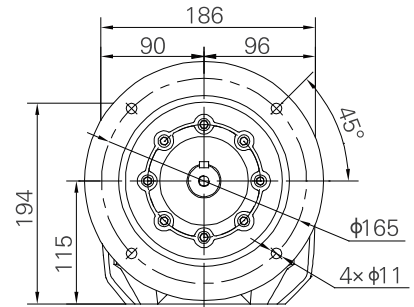
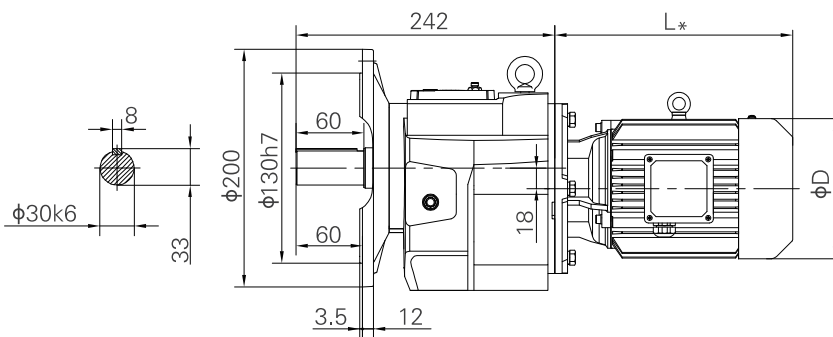
**C204H
C304H**



Horizontal foot-mounted

Weight: 14kg (Without motor and oil)

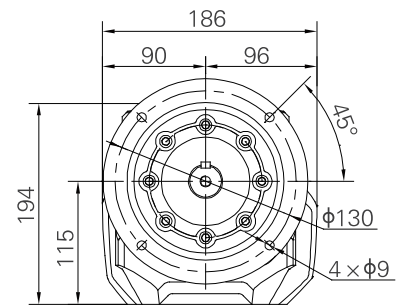
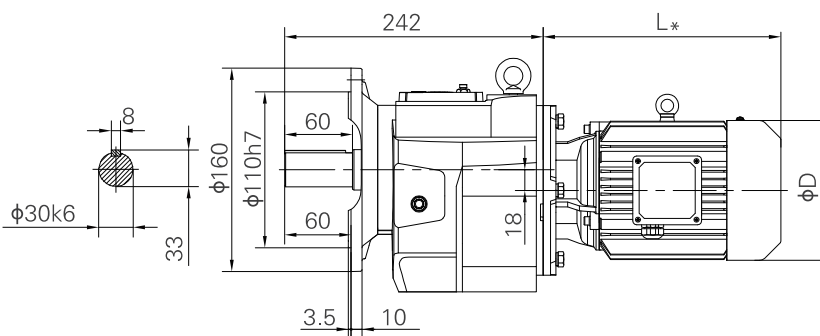
**C204F
C304F**



Flange-mounted

Weight: 15kg (Without motor and oil)

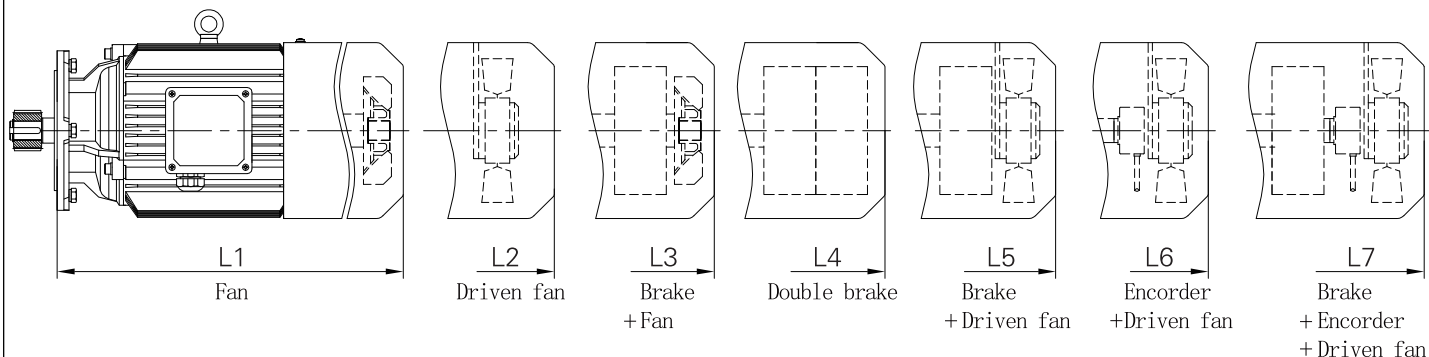
**C204S
C304S**



Short flange-mounted

Weight: 14 kg (Without motor and oil)

Corresponding motor dimension table for C204/C304



Directly connected motor dimension table

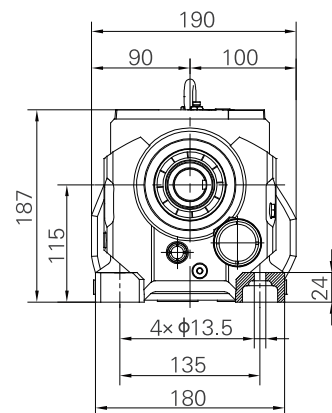
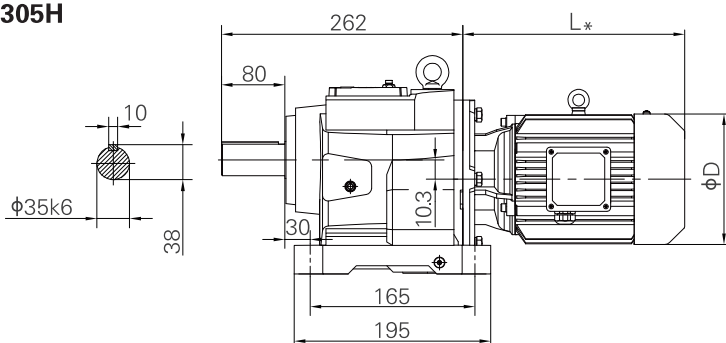
| 4-pole power (kW) | Range of Ratio | MS | | | | | | | MH | | | | | | | MP | | | | | | | D |
|-------------------|----------------|-----|-----|-----|-----|-----|-----|-----|-----|-----|-----|-----|-----|-----|-----|-----|-----|-----|-----|-----|-----|--|---|
| | | L1 | L2 | L3 | L4 | L5 | L6 | L7 | L1 | L2 | L3 | L5 | L6 | L7 | L1 | L2 | L3 | L5 | L6 | L7 | | | |
| 0.12 | 100-125 | / | 262 | 242 | / | 297 | / | / | 207 | 262 | 242 | 297 | / | / | 207 | 262 | 242 | 297 | / | / | 124 | | |
| 0.18 | 71-125 | / | 262 | 242 | / | 297 | / | / | 207 | 262 | 242 | 297 | / | / | 207 | 262 | 242 | 297 | / | / | 124 | | |
| 0.25 | 50-125 | / | 269 | 264 | / | 314 | 314 | 354 | 224 | 269 | 264 | 314 | 314 | 354 | 224 | 269 | 264 | 314 | 314 | 354 | 139 | | |
| 0.37 | 31.5-125 | / | 269 | 264 | / | 314 | 314 | 354 | 224 | 269 | 264 | 314 | 314 | 354 | 224 | 269 | 264 | 314 | 314 | 354 | 139 | | |
| 0.55 | 22.4-100 | 300 | 345 | 360 | 420 | 405 | 405 | 455 | 300 | 345 | 360 | 405 | 405 | 455 | 300 | 345 | 360 | 405 | 405 | 455 | 162 | | |
| 0.75 | 14-71 | 300 | 345 | 360 | 420 | 405 | 405 | 455 | 300 | 345 | 360 | 405 | 405 | 455 | 300 | 345 | 360 | 405 | 405 | 455 | 162 | | |
| 1.1 | 8-50 | 323 | 368 | 378 | 438 | 423 | 423 | 478 | 323 | 368 | 378 | 423 | 423 | 478 | 323 | 368 | 378 | 423 | 423 | 478 | 176 | | |
| 1.5 | 4.5-35.5 | 323 | 368 | 378 | 438 | 423 | 423 | 478 | 323 | 368 | 378 | 423 | 423 | 478 | 348 | 393 | 403 | 448 | 448 | 503 | 176 | | |
| 2.2 | 4-25 | 395 | 435 | 470 | 530 | 510 | 510 | 565 | 395 | 435 | 470 | 510 | 510 | 565 | 395 | 435 | 470 | 510 | 510 | 565 | 202 | | |
| 3 | 4-18 | 395 | 435 | 470 | 530 | 510 | 510 | 565 | 395 | 435 | 470 | 510 | 510 | 565 | 395 | 435 | 470 | 510 | 510 | 565 | 202 | | |
| 4 | 4-11.2 | 391 | 441 | 466 | 526 | 516 | 516 | 571 | 459 | 509 | 534 | 584 | 584 | 639 | 459 | 509 | 534 | 584 | 584 | 639 | 220 | | |

Directly connected motor weight table / kg

| 4-pole power (kW) | Range of Ratio | MS | | | | | | | MH | | | | | | | MP | | | | | | |
|-------------------|----------------|----|----|----|----|----|----|----|----|----|----|----|----|----|----|----|----|----|----|----|--|--|
| | | M1 | M2 | M3 | M4 | M5 | M6 | M7 | M1 | M2 | M3 | M5 | M6 | M7 | M1 | M2 | M3 | M5 | M6 | M7 | | |
| 0.12 | 100-125 | / | 8 | 9 | / | 9 | / | / | 7 | 8 | 9 | 9 | / | / | 7 | 8 | 9 | 9 | / | / | | |
| 0.18 | 71-125 | / | 8 | 9 | / | 9 | / | / | 7 | 8 | 9 | 9 | / | / | 8 | 9 | 10 | 10 | / | / | | |
| 0.25 | 50-125 | / | 9 | 10 | / | 11 | 10 | 12 | 8 | 9 | 10 | 11 | 10 | 12 | 9 | 10 | 11 | 12 | 11 | 13 | | |
| 0.37 | 31.5-125 | / | 10 | 11 | / | 12 | 11 | 13 | 9 | 10 | 11 | 12 | 11 | 13 | 10 | 11 | 12 | 13 | 12 | 14 | | |
| 0.55 | 22.4-100 | 13 | 14 | 17 | 21 | 18 | 15 | 19 | 14 | 15 | 18 | 19 | 16 | 20 | 15 | 16 | 19 | 20 | 17 | 21 | | |
| 0.75 | 14-71 | 14 | 15 | 18 | 22 | 19 | 16 | 20 | 15 | 16 | 19 | 20 | 17 | 21 | 16 | 17 | 20 | 21 | 18 | 22 | | |
| 1.1 | 8-50 | 16 | 17 | 20 | 24 | 21 | 18 | 22 | 18 | 19 | 22 | 23 | 20 | 24 | 21 | 22 | 25 | 26 | 23 | 27 | | |
| 1.5 | 4.5-35.5 | 17 | 18 | 21 | 25 | 22 | 19 | 23 | 19 | 20 | 23 | 24 | 21 | 25 | 23 | 24 | 27 | 28 | 25 | 29 | | |
| 2.2 | 4-25 | 27 | 28 | 35 | 42 | 36 | 29 | 37 | 30 | 31 | 38 | 39 | 32 | 40 | 32 | 33 | 40 | 41 | 34 | 42 | | |
| 3 | 4-18 | 30 | 31 | 38 | 45 | 39 | 32 | 40 | 33 | 34 | 41 | 42 | 35 | 43 | 36 | 37 | 44 | 45 | 38 | 46 | | |
| 4 | 4-11.2 | 45 | 46 | 53 | 61 | 54 | 47 | 55 | 52 | 53 | 60 | 61 | 54 | 62 | 56 | 57 | 64 | 65 | 58 | 66 | | |

C205/C305 Dimensions

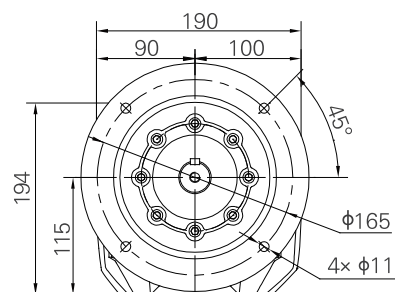
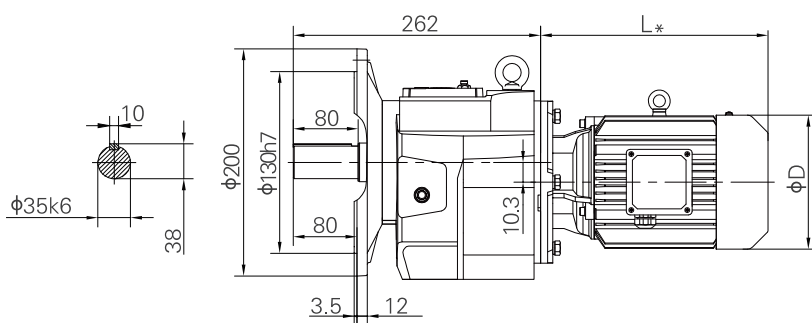
**C205H
C305H**



Horizontal foot-mounted

Weight: 18kg (Without motor and oil)

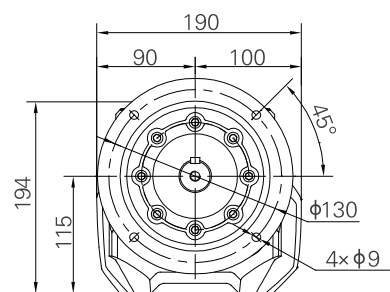
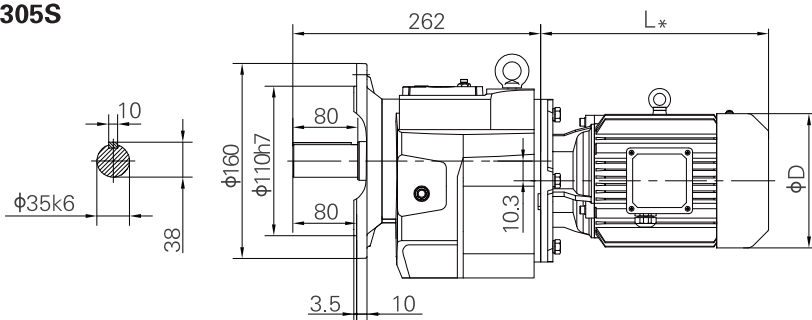
**C205F
C305F**



Flange-mounted

Weight: 20kg (Without motor and oil)

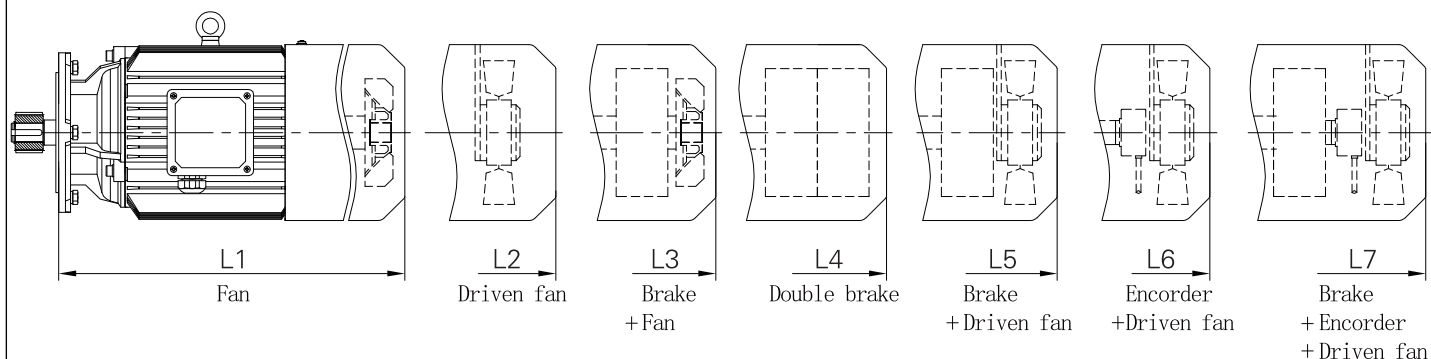
**C205S
C305S**



Short flange-mounted

Weight: 19kg (Without motor and oil)

Corresponding motor dimension table for C205/C305



Directly connected motor dimension table

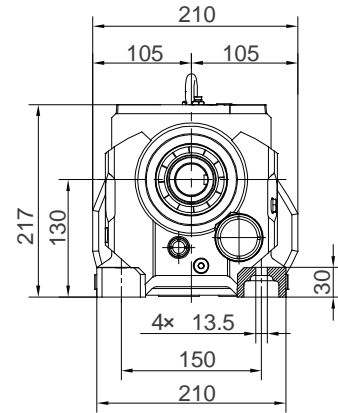
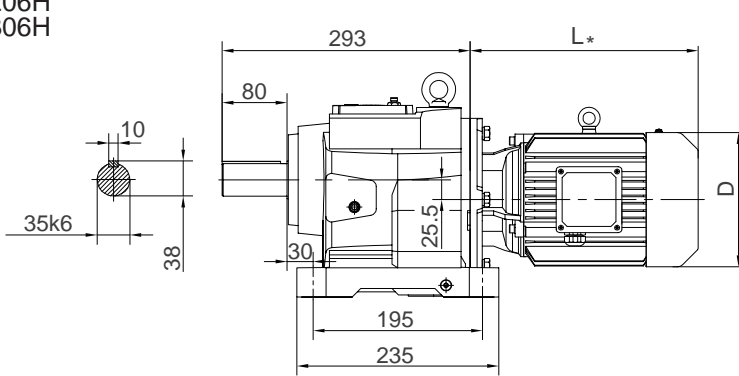
| 4-pole power (kW) | Range of Ratio | MS | | | | | | | MH | | | | | | | MP | | | | | | | D |
|-------------------|----------------|-----|-----|-----|-----|-----|-----|-----|-----|-----|-----|-----|-----|-----|-----|-----|-----|-----|-----|-----|-----|--|---|
| | | L1 | L2 | L3 | L4 | L5 | L6 | L7 | L1 | L2 | L3 | L5 | L6 | L7 | L1 | L2 | L3 | L5 | L6 | L7 | | | |
| 0.18 | 100-140 | / | 262 | 242 | / | 297 | / | / | 207 | 262 | 242 | 297 | / | / | 207 | 262 | 242 | 297 | / | / | 124 | | |
| 0.25 | 71-140 | / | 269 | 264 | / | 314 | 314 | 354 | 224 | 269 | 264 | 314 | 314 | 354 | 224 | 269 | 264 | 314 | 314 | 354 | 139 | | |
| 0.37 | 50-140 | / | 269 | 264 | / | 314 | 314 | 354 | 224 | 269 | 264 | 314 | 314 | 354 | 224 | 269 | 264 | 314 | 314 | 354 | 139 | | |
| 0.55 | 35.5-140 | 300 | 345 | 360 | 420 | 405 | 405 | 455 | 300 | 345 | 360 | 405 | 405 | 455 | 300 | 345 | 360 | 405 | 405 | 455 | 162 | | |
| 0.75 | 25-112 | 300 | 345 | 360 | 420 | 405 | 405 | 455 | 300 | 345 | 360 | 405 | 405 | 455 | 300 | 345 | 360 | 405 | 405 | 455 | 162 | | |
| 1.1 | 14-80 | 323 | 368 | 378 | 438 | 423 | 423 | 478 | 323 | 368 | 378 | 423 | 423 | 478 | 323 | 368 | 378 | 423 | 423 | 478 | 176 | | |
| 1.5 | 11.2-56 | 323 | 368 | 378 | 438 | 423 | 423 | 478 | 323 | 368 | 378 | 423 | 423 | 478 | 348 | 393 | 403 | 448 | 448 | 503 | 176 | | |
| 2.2 | 7.1-40 | 395 | 435 | 470 | 530 | 510 | 510 | 565 | 395 | 435 | 470 | 510 | 510 | 565 | 395 | 435 | 470 | 510 | 510 | 565 | 202 | | |
| 3 | 4.5-28 | 395 | 435 | 470 | 530 | 510 | 510 | 565 | 395 | 435 | 470 | 510 | 510 | 565 | 395 | 435 | 470 | 510 | 510 | 565 | 202 | | |
| 4 | 4.5-22.4 | 391 | 441 | 466 | 526 | 516 | 516 | 571 | 459 | 509 | 534 | 584 | 584 | 639 | 459 | 509 | 534 | 584 | 584 | 639 | 220 | | |

Directly connected motor weight table / kg

| 4-pole power (kW) | Range of Ratio | MS | | | | | | | MH | | | | | | | MP | | | | | | | |
|-------------------|----------------|----|----|----|----|----|----|----|----|----|----|----|----|----|----|----|----|----|----|----|--|--|--|
| | | M1 | M2 | M3 | M4 | M5 | M6 | M7 | M1 | M2 | M3 | M5 | M6 | M7 | M1 | M2 | M3 | M5 | M6 | M7 | | | |
| 0.18 | 100-140 | / | 8 | 9 | / | 9 | / | / | 7 | 8 | 9 | 9 | / | / | 8 | 9 | 10 | 10 | / | / | | | |
| 0.25 | 71-140 | / | 9 | 10 | / | 11 | 10 | 12 | 8 | 9 | 10 | 11 | 10 | 12 | 9 | 10 | 11 | 12 | 11 | 13 | | | |
| 0.37 | 50-140 | / | 10 | 11 | / | 12 | 11 | 13 | 9 | 10 | 11 | 12 | 11 | 13 | 10 | 11 | 12 | 13 | 12 | 14 | | | |
| 0.55 | 35.5-140 | 13 | 14 | 17 | 21 | 18 | 15 | 19 | 14 | 15 | 18 | 19 | 16 | 20 | 15 | 16 | 19 | 20 | 17 | 21 | | | |
| 0.75 | 25-112 | 14 | 15 | 18 | 22 | 19 | 16 | 20 | 15 | 16 | 19 | 20 | 17 | 21 | 16 | 17 | 20 | 21 | 18 | 22 | | | |
| 1.1 | 14-80 | 16 | 17 | 20 | 24 | 21 | 18 | 22 | 18 | 19 | 22 | 23 | 20 | 24 | 21 | 22 | 25 | 26 | 23 | 27 | | | |
| 1.5 | 11.2-56 | 17 | 18 | 21 | 25 | 22 | 19 | 23 | 19 | 20 | 23 | 24 | 21 | 25 | 23 | 24 | 27 | 28 | 25 | 29 | | | |
| 2.2 | 7.1-40 | 27 | 28 | 35 | 42 | 36 | 29 | 37 | 30 | 31 | 38 | 39 | 32 | 40 | 32 | 33 | 40 | 41 | 34 | 42 | | | |
| 3 | 4.5-28 | 30 | 31 | 38 | 45 | 39 | 32 | 40 | 33 | 34 | 41 | 42 | 35 | 43 | 36 | 37 | 44 | 45 | 38 | 46 | | | |
| 4 | 4.5-22.4 | 45 | 46 | 53 | 61 | 54 | 47 | 55 | 52 | 53 | 60 | 61 | 54 | 62 | 56 | 57 | 64 | 65 | 58 | 66 | | | |

C206/C306 Dimensions

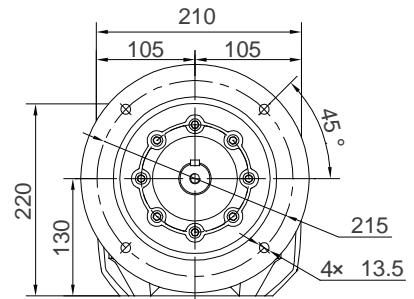
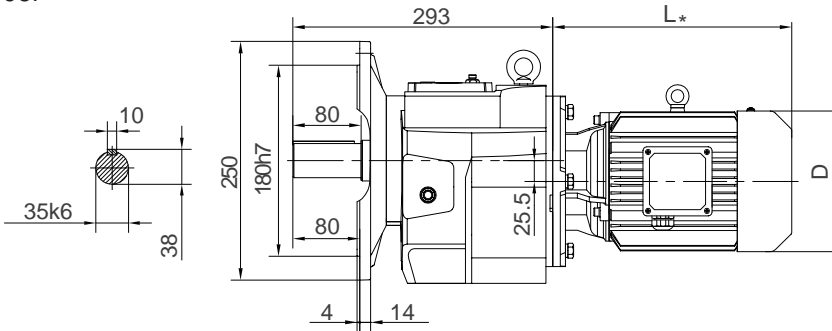
C206H
C306H



Horizontal foot - mounted

Weight: 25kg (Without motor and oil)

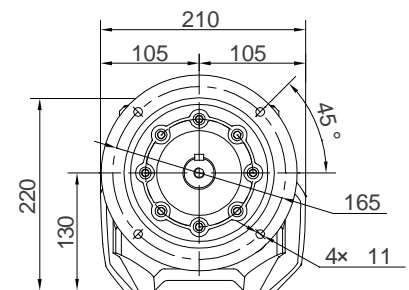
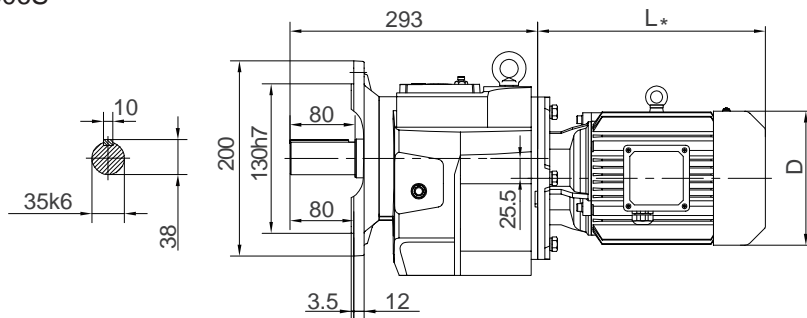
C206F
C306F



Flange - mounted

Weight: 27kg (Without motor and oil)

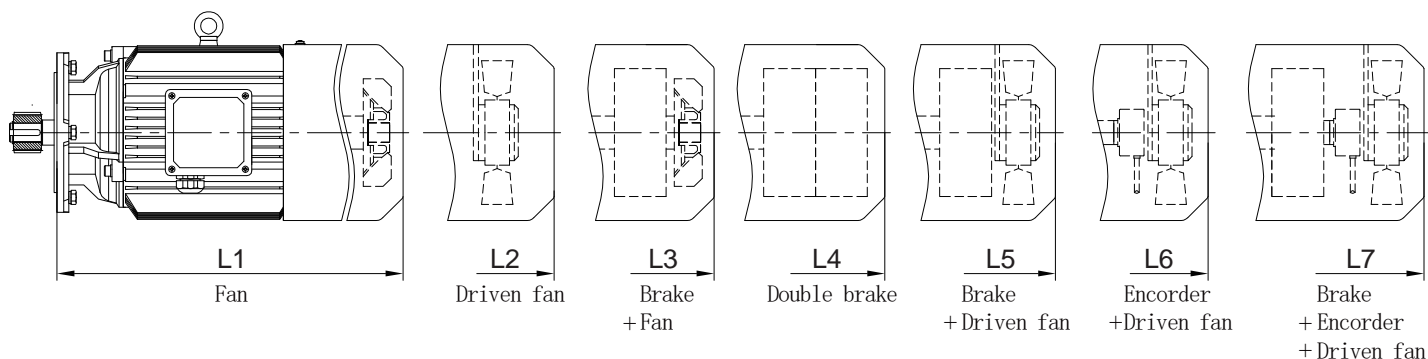
C206S
C306S



Short flange - mounted

Weight: 36kg (Without motor and oil)

Corresponding motor dimension table for C206/C306



Directly connected motor dimension table

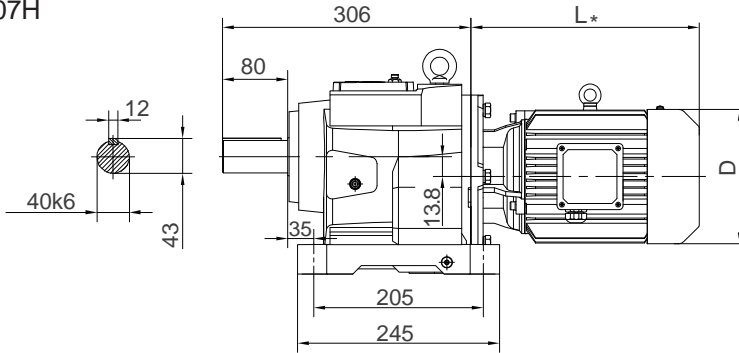
| | | MS | | | | | | | MH | | | | | | | MP | | | | | | | D |
|------|----------|-----|-----|-----|-----|-----|-----|-----|-----|-----|-----|-----|-----|-----|-----|-----|-----|-----|-----|-----|-----|--|---|
| | | L1 | L2 | L3 | L4 | L5 | L6 | L7 | L1 | L2 | L3 | L5 | L6 | L7 | L1 | L2 | L3 | L5 | L6 | L7 | | | |
| 0.25 | 112-160 | / | 269 | 264 | / | 314 | 314 | 354 | 224 | 269 | 264 | 314 | 314 | 354 | 224 | 269 | 264 | 314 | 314 | 354 | 139 | | |
| 0.37 | 71-160 | / | 269 | 264 | / | 314 | 314 | 354 | 224 | 269 | 264 | 314 | 314 | 354 | 224 | 269 | 264 | 314 | 314 | 354 | 139 | | |
| 0.55 | 50-160 | 300 | 345 | 360 | 420 | 405 | 405 | 455 | 300 | 345 | 360 | 405 | 405 | 455 | 300 | 345 | 360 | 405 | 405 | 455 | 162 | | |
| 0.75 | 35.5-160 | 300 | 345 | 360 | 420 | 405 | 405 | 455 | 300 | 345 | 360 | 405 | 405 | 455 | 300 | 345 | 360 | 405 | 405 | 455 | 162 | | |
| 1.1 | 20-100 | 323 | 368 | 378 | 438 | 423 | 423 | 478 | 323 | 368 | 378 | 423 | 423 | 478 | 323 | 368 | 378 | 423 | 423 | 478 | 176 | | |
| 1.5 | 14-80 | 323 | 368 | 378 | 438 | 423 | 423 | 478 | 323 | 368 | 378 | 423 | 423 | 478 | 348 | 393 | 403 | 448 | 448 | 503 | 176 | | |
| 2.2 | 9-56 | 395 | 435 | 470 | 530 | 510 | 510 | 565 | 395 | 435 | 470 | 510 | 510 | 565 | 395 | 435 | 470 | 510 | 510 | 565 | 202 | | |
| 3 | 5.6-40 | 395 | 435 | 470 | 530 | 510 | 510 | 565 | 395 | 435 | 470 | 510 | 510 | 565 | 395 | 435 | 470 | 510 | 510 | 565 | 202 | | |
| 4 | 4.5-28 | 391 | 441 | 466 | 526 | 516 | 516 | 571 | 459 | 509 | 534 | 584 | 584 | 639 | 459 | 509 | 534 | 584 | 584 | 639 | 220 | | |
| 5.5 | 4.5-11.2 | 432 | 482 | 512 | 577 | 557 | 557 | 612 | 432 | 482 | 512 | 557 | 557 | 612 | 470 | 520 | 550 | 595 | 595 | 650 | 259 | | |
| 7.5 | 4.5-11.2 | 470 | 520 | 550 | 615 | 595 | 595 | 650 | 470 | 520 | 550 | 595 | 595 | 650 | 508 | 558 | 588 | 633 | 633 | 688 | 259 | | |

Directly connected motor weight table / kg

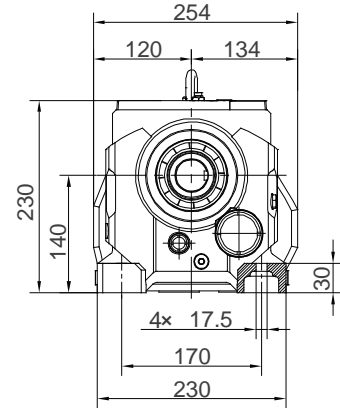
| | | MS | | | | | | | MH | | | | | | | MP | | | | | | | |
|------|----------|----|----|----|----|----|----|----|----|----|----|----|----|----|----|----|----|-----|----|-----|--|--|--|
| | | M1 | M2 | M3 | M4 | M5 | M6 | M7 | M1 | M2 | M3 | M5 | M6 | M7 | M1 | M2 | M3 | M5 | M6 | M7 | | | |
| 0.25 | 112-160 | / | 9 | 10 | / | 11 | 10 | 12 | 8 | 9 | 10 | 11 | 10 | 12 | 9 | 10 | 11 | 12 | 11 | 13 | | | |
| 0.37 | 71-160 | / | 10 | 11 | / | 12 | 11 | 13 | 9 | 10 | 11 | 12 | 11 | 13 | 10 | 11 | 12 | 13 | 12 | 14 | | | |
| 0.55 | 50-160 | 13 | 14 | 17 | 21 | 18 | 15 | 19 | 14 | 15 | 18 | 19 | 16 | 20 | 15 | 16 | 19 | 20 | 17 | 21 | | | |
| 0.75 | 35.5-160 | 14 | 15 | 18 | 22 | 19 | 16 | 20 | 15 | 16 | 19 | 20 | 17 | 21 | 16 | 17 | 20 | 21 | 18 | 22 | | | |
| 1.1 | 20-100 | 16 | 17 | 20 | 24 | 21 | 18 | 22 | 18 | 19 | 22 | 23 | 20 | 24 | 21 | 22 | 25 | 26 | 23 | 27 | | | |
| 1.5 | 14-80 | 17 | 18 | 21 | 25 | 22 | 19 | 23 | 19 | 20 | 23 | 24 | 21 | 25 | 23 | 24 | 27 | 28 | 25 | 29 | | | |
| 2.2 | 9-56 | 27 | 28 | 35 | 42 | 36 | 29 | 37 | 30 | 31 | 38 | 39 | 32 | 40 | 32 | 33 | 40 | 41 | 34 | 42 | | | |
| 3 | 5.6-40 | 30 | 31 | 38 | 45 | 39 | 32 | 40 | 33 | 34 | 41 | 42 | 35 | 43 | 36 | 37 | 44 | 45 | 38 | 46 | | | |
| 4 | 4.5-28 | 45 | 46 | 53 | 61 | 54 | 47 | 55 | 52 | 53 | 60 | 61 | 54 | 62 | 56 | 57 | 64 | 65 | 58 | 66 | | | |
| 5.5 | 4.5-11.2 | 63 | 65 | 74 | 85 | 76 | 66 | 77 | 67 | 69 | 78 | 80 | 70 | 81 | 77 | 79 | 88 | 90 | 80 | 91 | | | |
| 7.5 | 4.5-11.2 | 73 | 75 | 84 | 95 | 86 | 76 | 87 | 80 | 82 | 91 | 93 | 83 | 94 | 88 | 90 | 99 | 101 | 91 | 102 | | | |

C207/C307 Dimensions

C207H
C307H

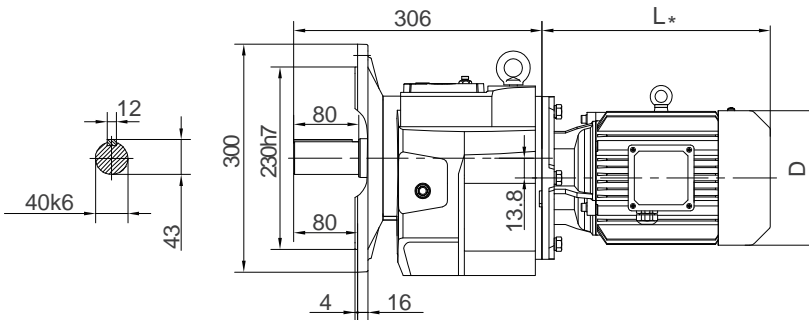


Horizontal foot - mounted

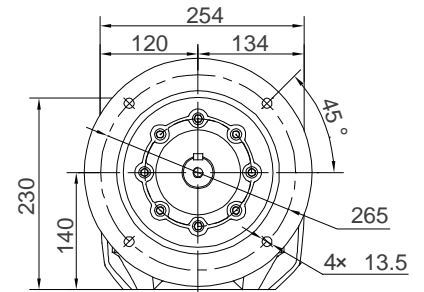


Weight: 33kg (Without motor and oil)

C207F
C307F

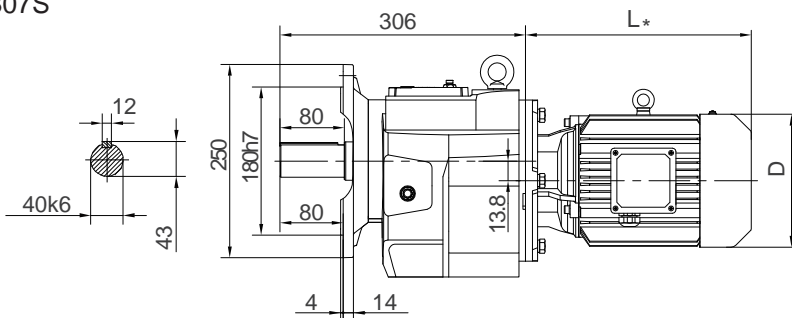


Flange - mounted

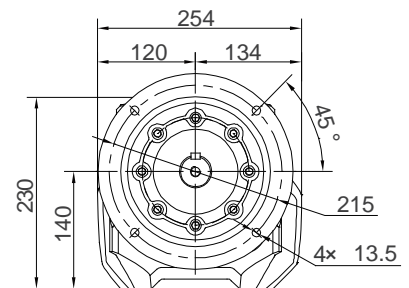


Weight: 36kg (Without motor and oil)

C207S
C307S

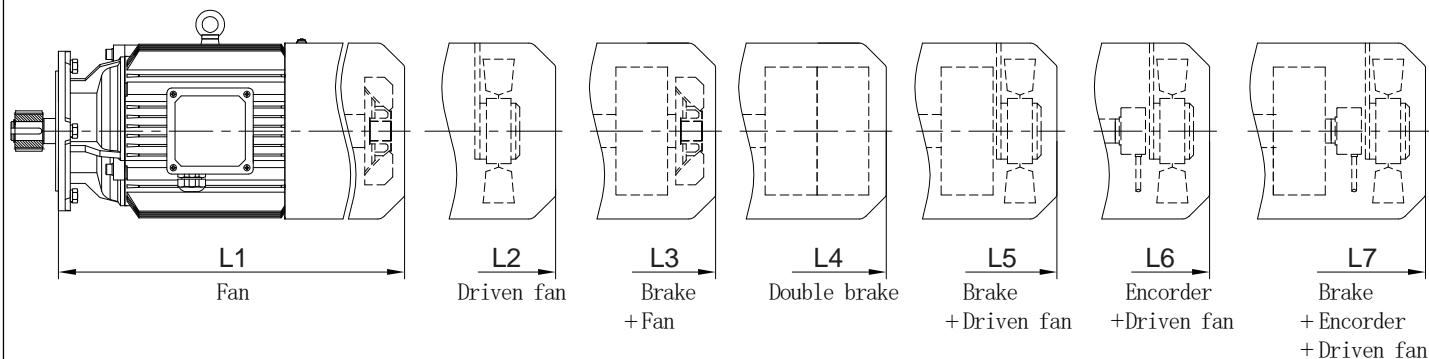


Short flange - mounted



Weight: 34kg (Without motor and oil)

Corresponding motor dimension table for C207/C307



Directly connected motor dimension table

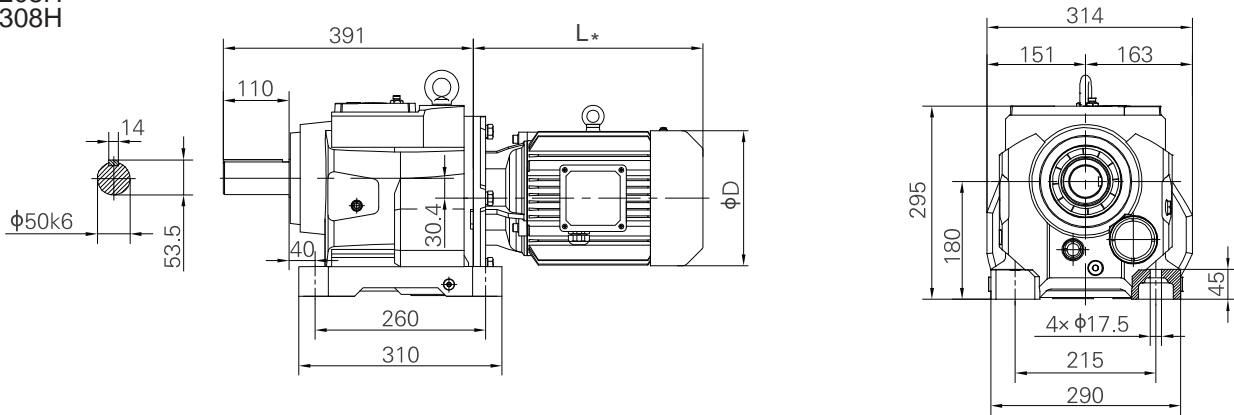
| | | MS | | | | | | | MH | | | | | | | MP | | | | | | | D |
|------|----------|-----|-----|-----|-----|-----|-----|-----|-----|-----|-----|-----|-----|-----|-----|-----|-----|-----|-----|-----|-----|-----|---|
| | | L1 | L2 | L3 | L4 | L5 | L6 | L7 | L1 | L2 | L3 | L4 | L5 | L6 | L7 | L1 | L2 | L3 | L5 | L6 | L7 | | |
| 0.25 | 140-180 | / | 261 | 256 | / | 306 | 306 | 346 | 216 | 261 | 256 | / | 306 | 306 | 346 | 216 | 261 | 256 | 306 | 306 | 346 | 139 | |
| 0.37 | 90-180 | / | 261 | 256 | / | 306 | 306 | 346 | 216 | 261 | 256 | / | 306 | 306 | 346 | 216 | 261 | 256 | 306 | 306 | 346 | 139 | |
| 0.55 | 71-180 | 292 | 337 | 352 | 412 | 397 | 397 | 447 | 292 | 337 | 352 | / | 397 | 397 | 447 | 292 | 337 | 352 | 397 | 397 | 447 | 162 | |
| 0.75 | 50-180 | 292 | 337 | 352 | 412 | 397 | 397 | 447 | 292 | 337 | 352 | / | 397 | 397 | 447 | 292 | 337 | 352 | 397 | 397 | 447 | 162 | |
| 1.1 | 31.5-100 | 315 | 360 | 370 | 430 | 415 | 415 | 470 | 315 | 360 | 370 | / | 415 | 415 | 470 | 315 | 360 | 370 | 415 | 415 | 470 | 176 | |
| 1.5 | 22.4-100 | 315 | 360 | 370 | 430 | 415 | 415 | 470 | 315 | 360 | 370 | / | 415 | 415 | 470 | 340 | 385 | 395 | 440 | 440 | 495 | 176 | |
| 2.2 | 14-80 | 387 | 427 | 462 | 522 | 502 | 502 | 557 | 387 | 427 | 462 | / | 502 | 502 | 557 | 387 | 427 | 462 | 502 | 502 | 557 | 202 | |
| 3 | 9-56 | 387 | 427 | 462 | 522 | 502 | 502 | 557 | 387 | 427 | 462 | / | 502 | 502 | 557 | 387 | 427 | 462 | 502 | 502 | 557 | 202 | |
| 4 | 7.1-40 | 383 | 433 | 458 | 518 | 508 | 508 | 563 | 451 | 501 | 526 | / | 576 | 576 | 631 | 451 | 501 | 526 | 576 | 576 | 631 | 220 | |
| 5.5 | 5-28 | 421 | 471 | 501 | 566 | 546 | 546 | 601 | 421 | 471 | 501 | / | 546 | 546 | 601 | 459 | 509 | 539 | 584 | 584 | 639 | 259 | |
| 7.5 | 4-18 | 459 | 509 | 539 | 604 | 584 | 584 | 639 | 459 | 509 | 539 | / | 584 | 584 | 639 | 497 | 547 | 577 | 622 | 622 | 677 | 259 | |
| 11 | 4-12.5 | / | 542 | 602 | / | 632 | 632 | 682 | 507 | 542 | 602 | 652 | 632 | 632 | 682 | 551 | 586 | 646 | 676 | 676 | 726 | 314 | |
| 15 | 4-8 | / | 586 | 646 | / | 676 | 676 | 726 | 551 | 586 | 646 | 696 | 676 | 676 | 726 | 581 | 616 | 676 | 706 | 706 | 756 | 314 | |

Directly connected motor weight table / kg

| | | MS | | | | | | | MH | | | | | | | MP | | | | | | | |
|------|----------|----|-----|-----|----|-----|-----|-----|-----|-----|-----|-----|-----|-----|-----|-----|-----|-----|-----|-----|-----|--|--|
| | | M1 | M2 | M3 | M4 | M5 | M6 | M7 | M1 | M2 | M3 | M4 | M5 | M6 | M7 | M1 | M2 | M3 | M5 | M6 | M7 | | |
| 0.25 | 140-180 | / | 9 | 10 | / | 11 | 10 | 12 | 8 | 9 | 10 | / | 11 | 10 | 12 | 9 | 10 | 11 | 12 | 11 | 13 | | |
| 0.37 | 90-180 | / | 10 | 11 | / | 12 | 11 | 13 | 9 | 10 | 11 | / | 12 | 11 | 13 | 10 | 11 | 12 | 13 | 12 | 14 | | |
| 0.55 | 71-180 | 13 | 14 | 17 | 21 | 18 | 15 | 19 | 14 | 15 | 18 | / | 19 | 16 | 20 | 15 | 16 | 19 | 20 | 17 | 21 | | |
| 0.75 | 50-180 | 14 | 15 | 18 | 22 | 19 | 16 | 20 | 15 | 16 | 19 | / | 20 | 17 | 21 | 16 | 17 | 20 | 21 | 18 | 22 | | |
| 1.1 | 31.5-100 | 16 | 17 | 20 | 24 | 21 | 18 | 22 | 18 | 19 | 22 | / | 23 | 20 | 24 | 21 | 22 | 25 | 26 | 23 | 27 | | |
| 1.5 | 22.4-100 | 17 | 18 | 21 | 25 | 22 | 19 | 23 | 19 | 20 | 23 | / | 24 | 21 | 25 | 23 | 24 | 27 | 28 | 25 | 29 | | |
| 2.2 | 14-80 | 27 | 28 | 35 | 42 | 36 | 29 | 37 | 30 | 31 | 38 | / | 39 | 32 | 40 | 32 | 33 | 40 | 41 | 34 | 42 | | |
| 3 | 9-56 | 30 | 31 | 38 | 45 | 39 | 32 | 40 | 33 | 34 | 41 | / | 42 | 35 | 43 | 36 | 37 | 44 | 45 | 38 | 46 | | |
| 4 | 7.1-40 | 45 | 46 | 53 | 61 | 54 | 47 | 55 | 52 | 53 | 60 | / | 61 | 54 | 62 | 56 | 57 | 64 | 65 | 58 | 66 | | |
| 5.5 | 5-28 | 63 | 65 | 74 | 85 | 76 | 66 | 77 | 67 | 69 | 78 | / | 80 | 70 | 81 | 77 | 79 | 88 | 90 | 80 | 91 | | |
| 7.5 | 4-18 | 73 | 75 | 84 | 95 | 86 | 76 | 87 | 80 | 82 | 91 | / | 93 | 83 | 94 | 88 | 90 | 99 | 101 | 91 | 102 | | |
| 11 | 4-12.5 | / | 123 | 142 | / | 143 | 124 | 144 | 121 | 123 | 142 | 162 | 143 | 124 | 144 | 129 | 131 | 150 | 151 | 132 | 152 | | |
| 15 | 4-8 | / | 141 | 160 | / | 161 | 142 | 162 | 139 | 141 | 160 | 180 | 161 | 142 | 162 | 161 | 163 | 182 | 183 | 164 | 184 | | |

C208/C308 Dimensions

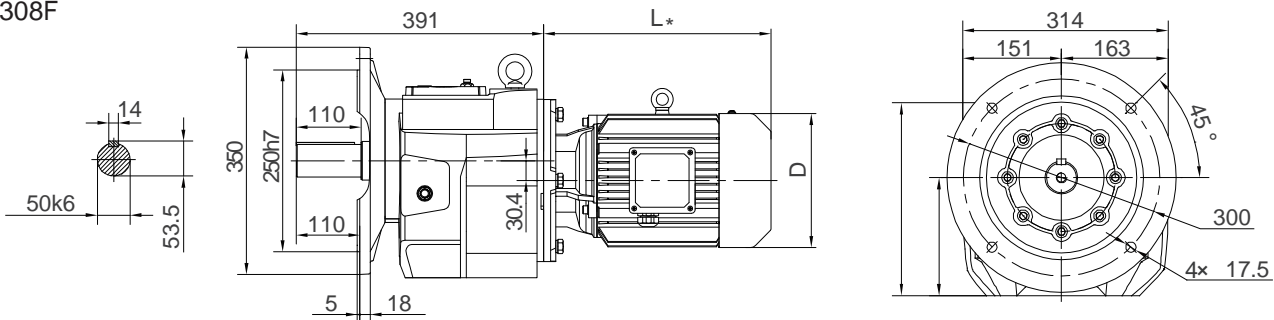
C208H
C308H



Horizontal foot - mounted

Weight: 60kg (Without motor and oil)

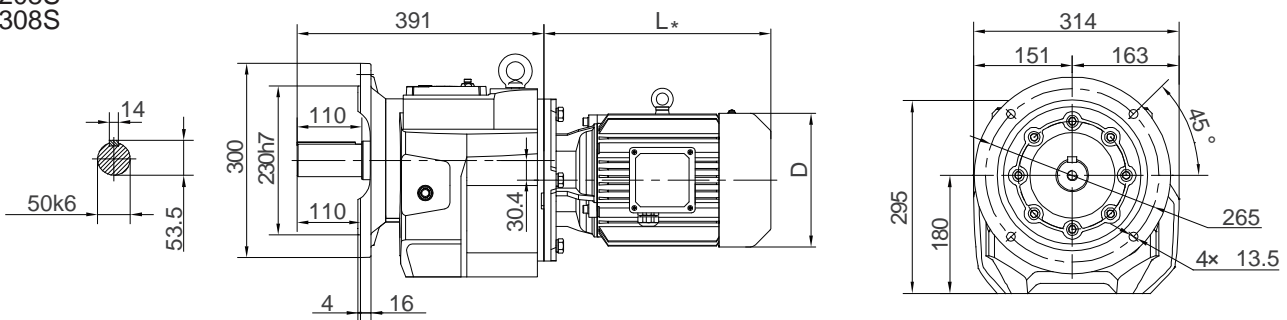
C208F
C308F



Flange - mounted

Weight: 66kg (Without motor and oil)

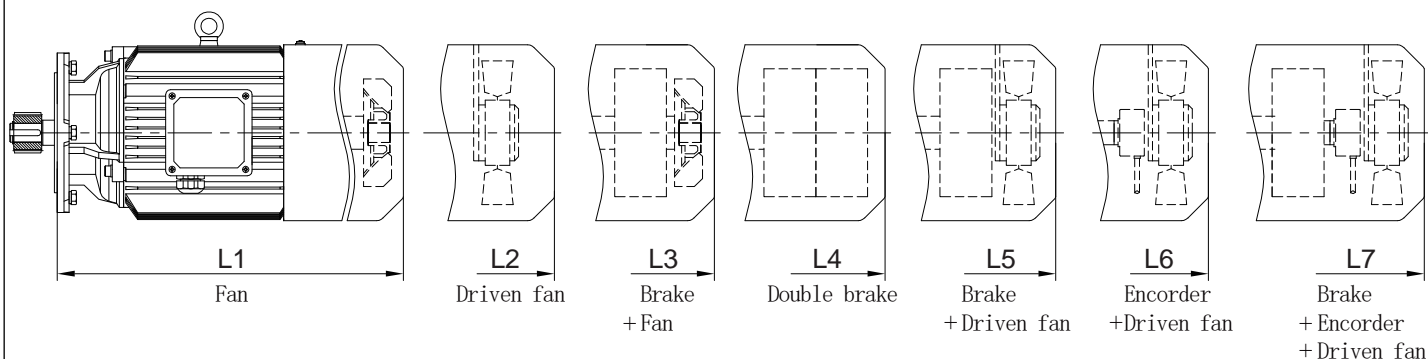
C208S
C308S



Short flange - mounted

Weight: 64kg (Without motor and oil)

Corresponding motor dimension table for C208/C308



Directly connected motor dimension table

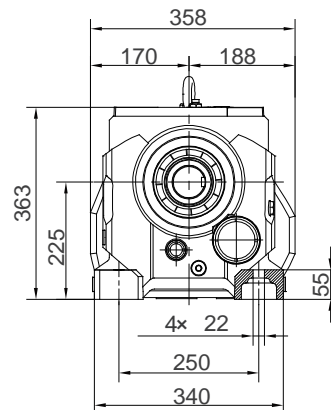
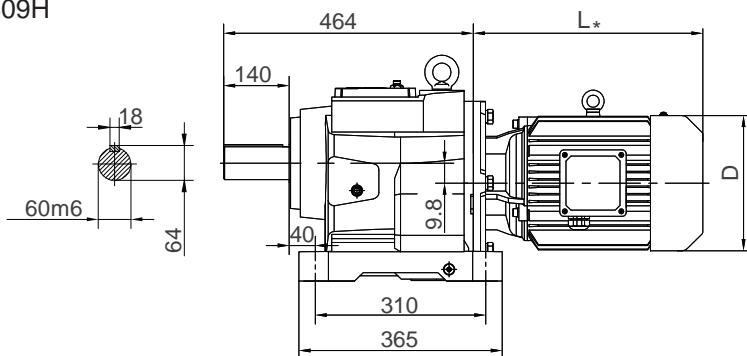
| | | MS | | | | | | | MH | | | | | | | MP | | | | | | | D |
|------|----------|-----|-----|-----|-----|-----|-----|-----|-----|-----|-----|-----|-----|-----|-----|-----|-----|-----|-----|-----|-----|-----|---|
| | | L1 | L2 | L3 | L4 | L5 | L6 | L7 | L1 | L2 | L3 | L4 | L5 | L6 | L7 | L1 | L2 | L3 | L5 | L6 | L7 | | |
| 0.55 | 140-200 | 283 | 328 | 343 | 403 | 388 | 388 | 438 | 283 | 328 | 343 | / | 388 | 388 | 438 | 283 | 328 | 343 | 388 | 388 | 438 | 162 | |
| 0.75 | 100-200 | 283 | 328 | 343 | 403 | 388 | 388 | 438 | 283 | 328 | 343 | / | 388 | 388 | 438 | 283 | 328 | 343 | 388 | 388 | 438 | 162 | |
| 1.1 | 63-160 | 306 | 351 | 361 | 421 | 406 | 406 | 461 | 306 | 351 | 361 | / | 406 | 406 | 461 | 306 | 351 | 361 | 406 | 406 | 461 | 176 | |
| 1.5 | 50-160 | 306 | 351 | 361 | 421 | 406 | 406 | 461 | 306 | 351 | 361 | / | 406 | 406 | 461 | 331 | 376 | 386 | 431 | 431 | 486 | 176 | |
| 2.2 | 31.5-160 | 378 | 418 | 453 | 513 | 493 | 493 | 548 | 378 | 418 | 453 | / | 493 | 493 | 548 | 378 | 418 | 453 | 493 | 493 | 548 | 202 | |
| 3 | 20-112 | 378 | 418 | 453 | 513 | 493 | 493 | 548 | 378 | 418 | 453 | / | 493 | 493 | 548 | 378 | 418 | 453 | 493 | 493 | 548 | 202 | |
| 4 | 12.5-80 | 374 | 424 | 449 | 509 | 499 | 499 | 554 | 442 | 492 | 517 | / | 567 | 567 | 622 | 442 | 492 | 517 | 567 | 567 | 622 | 220 | |
| 5.5 | 9-56 | 413 | 463 | 493 | 558 | 538 | 538 | 593 | 413 | 463 | 493 | / | 538 | 538 | 593 | 451 | 501 | 531 | 576 | 576 | 631 | 259 | |
| 7.5 | 7.1-45 | 451 | 501 | 531 | 596 | 576 | 576 | 631 | 451 | 501 | 531 | / | 576 | 576 | 631 | 489 | 539 | 569 | 614 | 614 | 669 | 259 | |
| 11 | 4.5-28 | / | 541 | 601 | / | 631 | 631 | 681 | 506 | 541 | 601 | 651 | 631 | 631 | 681 | 550 | 585 | 645 | 675 | 675 | 725 | 314 | |
| 15 | 4.5-18 | / | 585 | 645 | / | 675 | 675 | 725 | 550 | 585 | 645 | 695 | 675 | 675 | 725 | 580 | 615 | 675 | 705 | 705 | 755 | 314 | |
| 18.5 | 4.5-12.5 | / | 651 | 731 | / | 756 | 756 | 796 | 621 | 651 | 731 | 786 | 731 | 756 | 801 | 621 | 651 | 731 | 756 | 756 | 801 | 356 | |
| 22 | 4.5-10 | / | 699 | 779 | / | 804 | 804 | 849 | 669 | 699 | 779 | 834 | 779 | 804 | 849 | 669 | 699 | 779 | 804 | 804 | 849 | 356 | |

Directly connected motor weight table / kg

| | | MS | | | | | | | MH | | | | | | | MP | | | | | | | |
|------|----------|----|-----|-----|----|-----|-----|-----|-----|-----|-----|-----|-----|-----|-----|-----|-----|-----|-----|-----|-----|--|--|
| | | M1 | M2 | M3 | M4 | M5 | M6 | M7 | M1 | M2 | M3 | M4 | M5 | M6 | M7 | M1 | M2 | M3 | M5 | M6 | M7 | | |
| 0.55 | 140-200 | 13 | 14 | 17 | 21 | 18 | 15 | 19 | 14 | 15 | 18 | / | 19 | 16 | 20 | 15 | 16 | 19 | 20 | 17 | 21 | | |
| 0.75 | 100-200 | 14 | 15 | 18 | 22 | 19 | 16 | 20 | 15 | 16 | 19 | / | 20 | 17 | 21 | 16 | 17 | 20 | 21 | 18 | 22 | | |
| 1.1 | 63-160 | 16 | 17 | 20 | 24 | 21 | 18 | 22 | 18 | 19 | 22 | / | 23 | 20 | 24 | 21 | 22 | 25 | 26 | 23 | 27 | | |
| 1.5 | 50-160 | 17 | 18 | 21 | 25 | 22 | 19 | 23 | 19 | 20 | 23 | / | 24 | 21 | 25 | 23 | 24 | 27 | 28 | 25 | 29 | | |
| 2.2 | 31.5-160 | 27 | 28 | 35 | 42 | 36 | 29 | 37 | 30 | 31 | 38 | / | 39 | 32 | 40 | 32 | 33 | 40 | 41 | 34 | 42 | | |
| 3 | 20-112 | 30 | 31 | 38 | 45 | 39 | 32 | 40 | 33 | 34 | 41 | / | 42 | 35 | 43 | 36 | 37 | 44 | 45 | 38 | 46 | | |
| 4 | 12.5-80 | 45 | 46 | 53 | 61 | 54 | 47 | 55 | 52 | 53 | 60 | / | 61 | 54 | 62 | 56 | 57 | 64 | 65 | 58 | 66 | | |
| 5.5 | 9-56 | 63 | 65 | 74 | 85 | 76 | 66 | 77 | 67 | 69 | 78 | / | 80 | 70 | 81 | 77 | 79 | 88 | 90 | 80 | 91 | | |
| 7.5 | 7.1-45 | 73 | 75 | 84 | 95 | 86 | 76 | 87 | 80 | 82 | 91 | / | 93 | 83 | 94 | 88 | 90 | 99 | 101 | 91 | 102 | | |
| 11 | 4.5-28 | / | 123 | 142 | / | 143 | 124 | 144 | 121 | 123 | 142 | 162 | 143 | 124 | 144 | 129 | 131 | 150 | 151 | 132 | 152 | | |
| 15 | 4.5-18 | / | 141 | 160 | / | 161 | 142 | 162 | 139 | 141 | 160 | 180 | 161 | 142 | 162 | 161 | 163 | 182 | 183 | 164 | 184 | | |
| 18.5 | 4.5-12.5 | / | 184 | 214 | / | 215 | 185 | 217 | 182 | 184 | 214 | 246 | 215 | 185 | 217 | 200 | 202 | 232 | 233 | 203 | 235 | | |
| 22 | 4.5-10 | / | 206 | 236 | / | 237 | 207 | 239 | 204 | 206 | 236 | 268 | 237 | 207 | 239 | 220 | 222 | 252 | 253 | 223 | 255 | | |

C209/C309 Dimensions

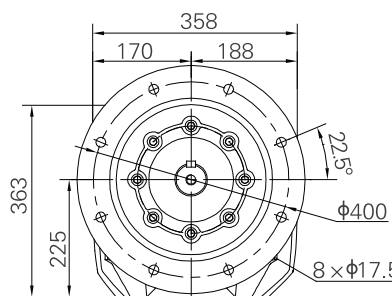
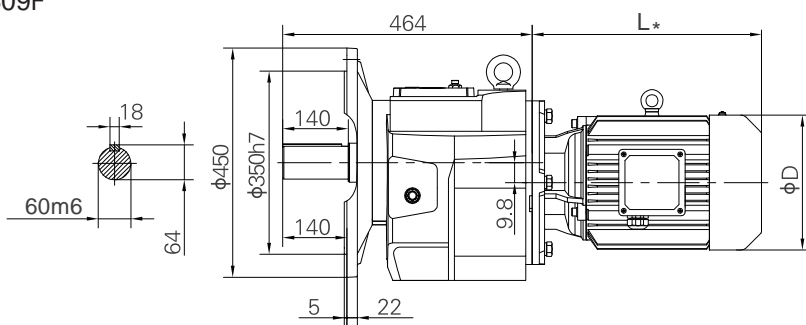
C209H
C309H



Horizontal foot - mounted

Weight: 110kg (Without motor and oil)

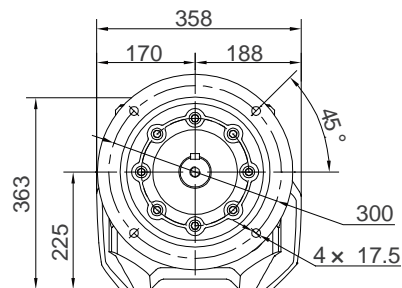
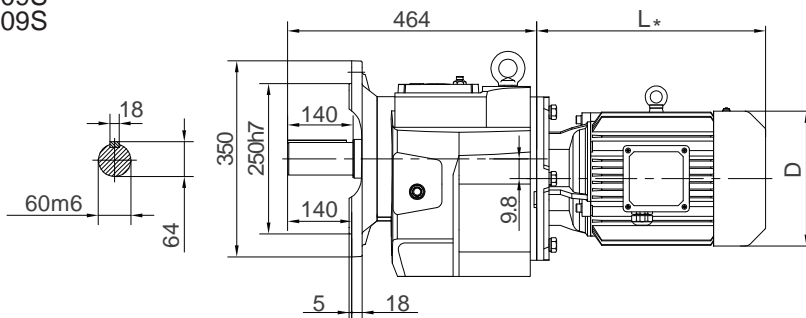
C209F
C309F



Flange - mounted

Weight: 120kg (Without motor and oil)

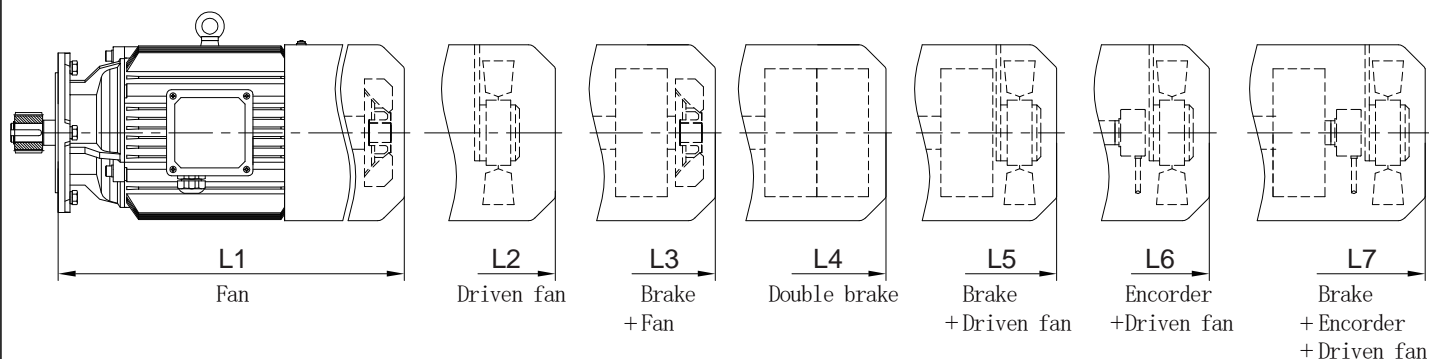
C209S
C309S



Short flange - mounted

Weight: 115kg (Without motor and oil)

Corresponding motor dimension table for C209/C309



Directly connected motor dimension table

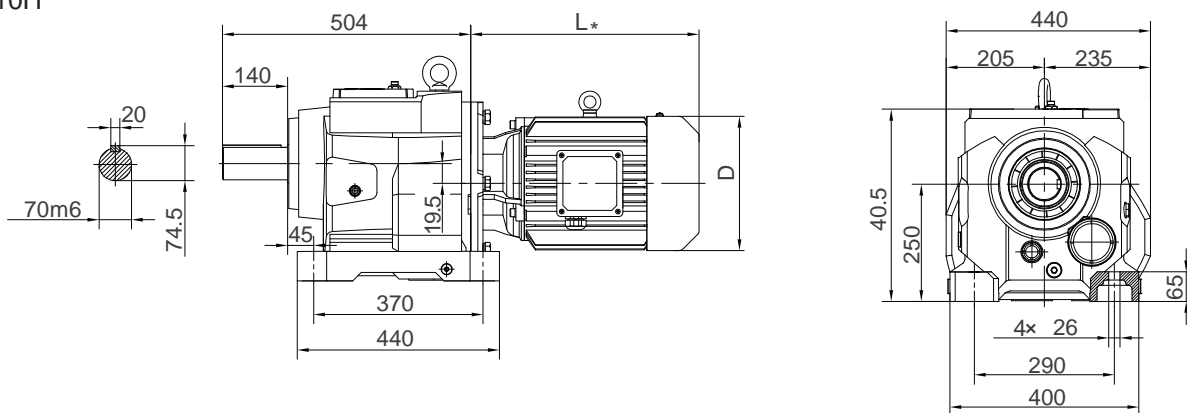
| | | MS | | | | | | | MH | | | | | | | MP | | | | | | | D |
|------|----------|-----|-----|-----|-----|-----|-----|-----|-----|-----|-----|-----|-----|-----|-----|-----|-----|-----|-----|-----|-----|-----|---|
| | | L1 | L2 | L3 | L4 | L5 | L6 | L7 | L1 | L2 | L3 | L4 | L5 | L6 | L7 | L1 | L2 | L3 | L5 | L6 | L7 | | |
| 0.55 | 250-280 | 280 | 325 | 340 | 400 | 385 | 385 | 435 | 280 | 325 | 340 | / | 385 | 385 | 435 | 280 | 325 | 340 | 385 | 385 | 435 | 162 | |
| 0.75 | 180-280 | 280 | 325 | 340 | 400 | 385 | 385 | 435 | 280 | 325 | 340 | / | 385 | 385 | 435 | 280 | 325 | 340 | 385 | 385 | 435 | 162 | |
| 1.1 | 125-224 | 303 | 348 | 358 | 418 | 403 | 403 | 458 | 303 | 348 | 358 | / | 403 | 403 | 458 | 303 | 348 | 358 | 403 | 403 | 458 | 176 | |
| 1.5 | 90-224 | 303 | 348 | 358 | 418 | 403 | 403 | 458 | 303 | 348 | 358 | / | 403 | 403 | 458 | 328 | 373 | 383 | 428 | 428 | 483 | 176 | |
| 2.2 | 63-224 | 374 | 414 | 449 | 509 | 489 | 489 | 544 | 374 | 414 | 449 | / | 489 | 489 | 544 | 374 | 414 | 449 | 489 | 489 | 544 | 202 | |
| 3 | 45-200 | 374 | 414 | 449 | 509 | 489 | 489 | 544 | 374 | 414 | 449 | / | 489 | 489 | 544 | 374 | 414 | 449 | 489 | 489 | 544 | 202 | |
| 4 | 31.5-140 | 370 | 420 | 445 | 505 | 495 | 495 | 550 | 438 | 488 | 513 | / | 563 | 563 | 618 | 438 | 488 | 513 | 563 | 563 | 618 | 220 | |
| 5.5 | 20-112 | 412 | 462 | 492 | 557 | 537 | 537 | 592 | 412 | 462 | 492 | / | 537 | 537 | 592 | 450 | 500 | 530 | 575 | 575 | 630 | 259 | |
| 7.5 | 12.5-80 | 450 | 500 | 530 | 595 | 575 | 575 | 630 | 450 | 500 | 530 | / | 575 | 575 | 630 | 488 | 538 | 568 | 613 | 613 | 668 | 259 | |
| 11 | 8-56 | / | 535 | 595 | / | 625 | 625 | 675 | 500 | 535 | 595 | 645 | 625 | 625 | 675 | 544 | 579 | 639 | 669 | 669 | 719 | 314 | |
| 15 | 5-40 | / | 579 | 639 | / | 669 | 669 | 719 | 544 | 579 | 639 | 689 | 669 | 669 | 719 | 574 | 609 | 669 | 699 | 699 | 749 | 314 | |
| 18.5 | 4-31.5 | / | 645 | 725 | / | 750 | 750 | 795 | 615 | 645 | 725 | 780 | 725 | 750 | 795 | 615 | 645 | 725 | 750 | 750 | 795 | 356 | |
| 22 | 4-25 | / | 693 | 773 | / | 798 | 798 | 843 | 663 | 693 | 773 | 828 | 773 | 798 | 843 | 663 | 693 | 773 | 798 | 798 | 843 | 356 | |
| 30 | 4-16 | / | 710 | 820 | / | 825 | 825 | 870 | 705 | 710 | 820 | 845 | 825 | 825 | 870 | 705 | 710 | 820 | 825 | 825 | 870 | 398 | |

Directly connected motor weight table / kg

| | | MS | | | | | | | MH | | | | | | | MP | | | | | | | |
|------|----------|----|-----|-----|----|-----|-----|-----|-----|-----|-----|-----|-----|-----|-----|-----|-----|-----|-----|-----|-----|--|--|
| | | M1 | M2 | M3 | M4 | M5 | M6 | M7 | M1 | M2 | M3 | M4 | M5 | M6 | M7 | M1 | M2 | M3 | M5 | M6 | M7 | | |
| 0.55 | 250-280 | 13 | 14 | 17 | 21 | 18 | 15 | 19 | 14 | 15 | 18 | / | 19 | 16 | 20 | 15 | 16 | 19 | 20 | 17 | 21 | | |
| 0.75 | 180-280 | 14 | 15 | 18 | 22 | 19 | 16 | 20 | 15 | 16 | 19 | / | 20 | 17 | 21 | 16 | 17 | 20 | 21 | 18 | 22 | | |
| 1.1 | 125-224 | 16 | 17 | 20 | 24 | 21 | 18 | 22 | 18 | 19 | 22 | / | 23 | 20 | 24 | 20 | 21 | 24 | 25 | 22 | 26 | | |
| 1.5 | 90-224 | 17 | 18 | 21 | 25 | 22 | 19 | 23 | 19 | 20 | 23 | / | 24 | 21 | 25 | 22 | 23 | 26 | 27 | 24 | 28 | | |
| 2.2 | 63-224 | 27 | 28 | 35 | 42 | 36 | 29 | 37 | 30 | 31 | 38 | / | 39 | 32 | 40 | 32 | 33 | 40 | 41 | 34 | 42 | | |
| 3 | 45-200 | 30 | 31 | 38 | 45 | 39 | 32 | 40 | 33 | 34 | 41 | / | 42 | 35 | 43 | 36 | 37 | 44 | 45 | 38 | 46 | | |
| 4 | 31.5-140 | 45 | 46 | 53 | 61 | 54 | 47 | 55 | 52 | 53 | 60 | / | 61 | 54 | 62 | 56 | 57 | 64 | 65 | 58 | 66 | | |
| 5.5 | 20-112 | 63 | 65 | 74 | 85 | 76 | 66 | 77 | 67 | 69 | 78 | / | 80 | 70 | 81 | 77 | 79 | 88 | 90 | 80 | 91 | | |
| 7.5 | 12.5-80 | 73 | 75 | 84 | 95 | 86 | 76 | 87 | 80 | 82 | 91 | / | 93 | 83 | 94 | 88 | 90 | 99 | 101 | 91 | 102 | | |
| 11 | 8-56 | / | 123 | 142 | / | 143 | 124 | 144 | 121 | 123 | 142 | 162 | 143 | 124 | 144 | 129 | 131 | 150 | 151 | 132 | 152 | | |
| 15 | 5-40 | / | 141 | 160 | / | 161 | 142 | 162 | 139 | 141 | 160 | 180 | 161 | 142 | 162 | 161 | 163 | 182 | 183 | 164 | 184 | | |
| 18.5 | 4-31.5 | / | 184 | 214 | / | 215 | 185 | 217 | 182 | 184 | 214 | 246 | 215 | 185 | 217 | 200 | 202 | 232 | 233 | 203 | 235 | | |
| 22 | 4-25 | / | 206 | 236 | / | 237 | 207 | 239 | 204 | 206 | 236 | 268 | 237 | 207 | 239 | 220 | 222 | 252 | 253 | 223 | 255 | | |
| 30 | 4-16 | / | 260 | 310 | / | 308 | 261 | 310 | 260 | 260 | 310 | 360 | 308 | 261 | 310 | 280 | 280 | 330 | 328 | 281 | 330 | | |

C210/C310 Dimensions

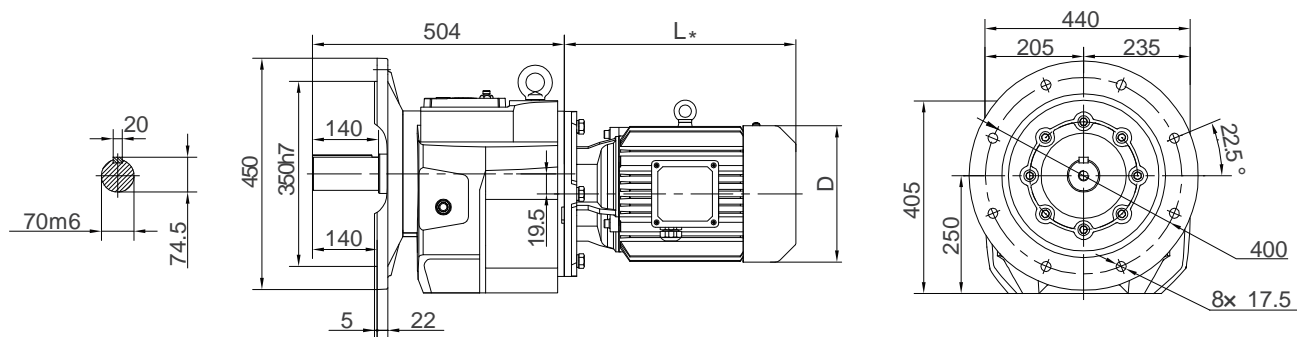
C210H
C310H



Horizontal foot - mounted

Weight: 150kg (Without motor and oil)

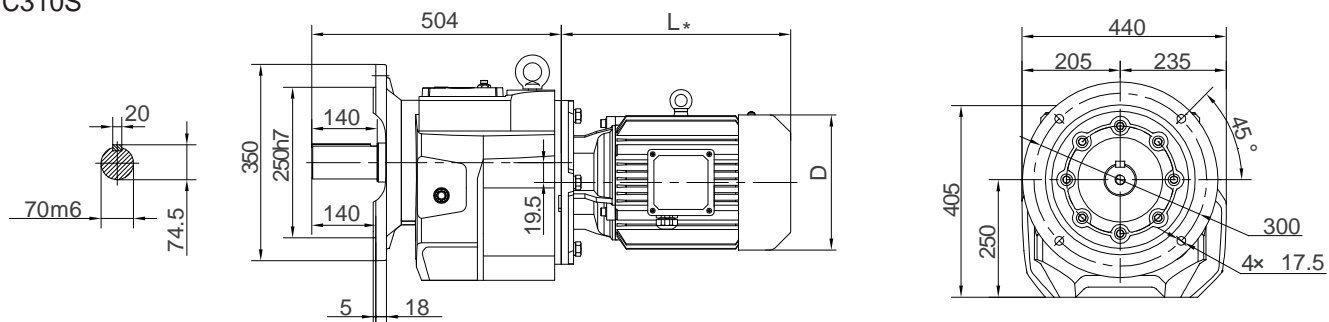
C210F
C310F



Flange - mounted

Weight: 165kg (Without motor and oil)

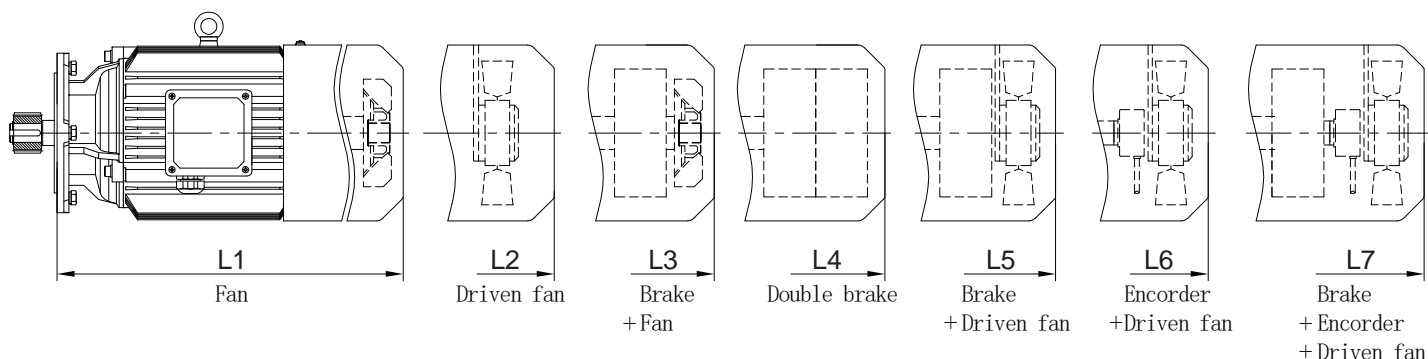
C210S
C310S



Short flange - mounted

Weight: 158kg (Without motor and oil)

Corresponding motor dimension table for C210/C310



Directly connected motor dimension table

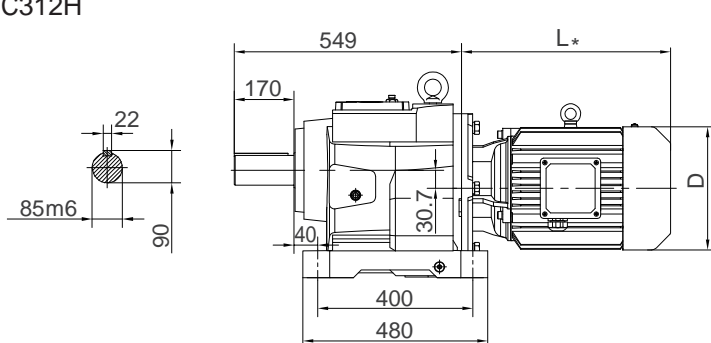
| 4-pole power (kW) | Range of Ratio | MS | | | | | | | MH | | | | | | | MP | | | | | | | D |
|-------------------|----------------|-----|-----|-----|-----|-----|-----|-----|-----|-----|-----|-----|-----|-----|-----|-----|-----|-----|-----|-----|-----|-----|---|
| | | L1 | L2 | L3 | L4 | L5 | L6 | L7 | L1 | L2 | L3 | L4 | L5 | L6 | L7 | L1 | L2 | L3 | L5 | L6 | L7 | | |
| 1.5 | 112-224 | 300 | 345 | 355 | 415 | 400 | 400 | 455 | 300 | 345 | 355 | / | 400 | 400 | 455 | 325 | 370 | 380 | 425 | 425 | 480 | 176 | |
| 2.2 | 80-224 | 370 | 410 | 445 | 505 | 485 | 485 | 540 | 370 | 410 | 445 | / | 485 | 485 | 540 | 370 | 410 | 445 | 485 | 485 | 540 | 202 | |
| 3 | 63-224 | 370 | 410 | 445 | 505 | 485 | 485 | 540 | 370 | 410 | 445 | / | 485 | 485 | 540 | 370 | 410 | 445 | 485 | 485 | 540 | 202 | |
| 4 | 45-200 | 366 | 416 | 441 | 501 | 491 | 491 | 546 | 434 | 484 | 509 | / | 559 | 559 | 614 | 434 | 484 | 509 | 559 | 559 | 614 | 220 | |
| 5.5 | 31.5-140 | 401 | 451 | 481 | 546 | 526 | 526 | 581 | 401 | 451 | 481 | / | 526 | 526 | 581 | 439 | 489 | 519 | 564 | 564 | 619 | 259 | |
| 7.5 | 25-100 | 439 | 489 | 519 | 584 | 564 | 564 | 619 | 439 | 489 | 519 | / | 564 | 564 | 619 | 477 | 527 | 557 | 602 | 602 | 657 | 259 | |
| 11 | 18-71 | / | 524 | 584 | / | 614 | 614 | 664 | 489 | 524 | 584 | 634 | 614 | 614 | 664 | 533 | 568 | 628 | 658 | 658 | 708 | 314 | |
| 15 | 12.5-56 | / | 568 | 628 | / | 658 | 658 | 708 | 533 | 568 | 628 | 678 | 658 | 658 | 708 | 563 | 598 | 658 | 688 | 688 | 738 | 314 | |
| 18.5 | 10-45 | / | 634 | 714 | / | 739 | 739 | 784 | 604 | 634 | 714 | 769 | 714 | 739 | 784 | 604 | 634 | 714 | 739 | 739 | 784 | 356 | |
| 22 | 7.1-40 | / | 682 | 762 | / | 787 | 787 | 832 | 652 | 682 | 762 | 817 | 762 | 787 | 832 | 652 | 682 | 762 | 787 | 787 | 832 | 356 | |
| 30 | 4.5-28 | / | 710 | 820 | / | 825 | 825 | 870 | 705 | 710 | 820 | 845 | 825 | 825 | 870 | 705 | 710 | 820 | 825 | 825 | 870 | 398 | |
| 37 | 4-22.4 | / | 776 | 861 | / | 891 | 891 | 936 | 746 | 776 | 861 | / | 891 | 891 | 936 | 746 | 776 | 861 | 891 | 891 | 936 | 446 | |
| 45 | 4-20 | / | 776 | 861 | / | 891 | 891 | 936 | 746 | 776 | 861 | / | 891 | 891 | 936 | 746 | 776 | 861 | 891 | 891 | 936 | 446 | |

Directly connected motor weight table / kg

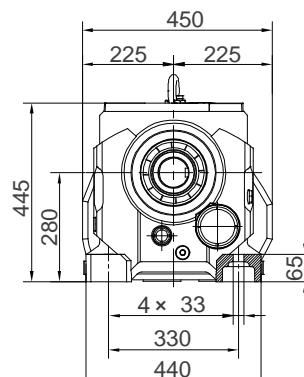
| 4-pole power (kW) | Range of Ratio | MS | | | | | | | MH | | | | | | | MP | | | | | | |
|-------------------|----------------|----|-----|-----|----|-----|-----|-----|-----|-----|-----|-----|-----|-----|-----|-----|-----|-----|-----|-----|-----|--|
| | | M1 | M2 | M3 | M4 | M5 | M6 | M7 | M1 | M2 | M3 | M4 | M5 | M6 | M7 | M1 | M2 | M3 | M5 | M6 | M7 | |
| 1.5 | 112-224 | 17 | 18 | 21 | 25 | 22 | 19 | 23 | 19 | 20 | 23 | / | 24 | 21 | 25 | 23 | 24 | 27 | 28 | 25 | 29 | |
| 2.2 | 80-224 | 27 | 28 | 35 | 42 | 36 | 29 | 37 | 30 | 31 | 38 | / | 39 | 32 | 40 | 32 | 33 | 40 | 41 | 34 | 42 | |
| 3 | 63-224 | 30 | 31 | 38 | 45 | 39 | 32 | 40 | 33 | 34 | 41 | / | 42 | 35 | 43 | 36 | 37 | 44 | 45 | 38 | 46 | |
| 4 | 45-200 | 45 | 46 | 53 | 61 | 54 | 47 | 55 | 52 | 53 | 60 | / | 61 | 54 | 62 | 56 | 57 | 64 | 65 | 58 | 66 | |
| 5.5 | 31.5-140 | 63 | 65 | 74 | 85 | 76 | 66 | 77 | 67 | 69 | 78 | / | 80 | 70 | 81 | 77 | 79 | 88 | 90 | 80 | 91 | |
| 7.5 | 25-100 | 73 | 75 | 84 | 95 | 86 | 76 | 87 | 80 | 82 | 91 | / | 93 | 83 | 94 | 88 | 90 | 99 | 101 | 91 | 102 | |
| 11 | 18-71 | / | 123 | 142 | / | 143 | 124 | 144 | 121 | 123 | 142 | 162 | 143 | 124 | 144 | 129 | 131 | 150 | 151 | 132 | 152 | |
| 15 | 12.5-56 | / | 141 | 160 | / | 161 | 142 | 162 | 139 | 141 | 160 | 180 | 161 | 142 | 162 | 161 | 163 | 182 | 183 | 164 | 184 | |
| 18.5 | 10-45 | / | 184 | 214 | / | 215 | 185 | 217 | 182 | 184 | 214 | 246 | 215 | 185 | 217 | 200 | 202 | 232 | 233 | 203 | 235 | |
| 22 | 7.1-40 | / | 206 | 236 | / | 237 | 207 | 239 | 204 | 206 | 236 | 268 | 237 | 207 | 239 | 220 | 222 | 252 | 253 | 223 | 255 | |
| 30 | 4.5-28 | / | 260 | 310 | / | 308 | 261 | 310 | 260 | 260 | 310 | 360 | 308 | 261 | 310 | 280 | 280 | 330 | 328 | 281 | 330 | |
| 37 | 4-22.4 | / | 332 | 380 | / | 381 | 334 | 383 | 330 | 332 | 380 | / | 381 | 334 | 383 | 345 | 347 | 395 | 396 | 349 | 398 | |
| 45 | 4-20 | / | 347 | 395 | / | 396 | 349 | 398 | 345 | 347 | 395 | / | 396 | 349 | 398 | 365 | 367 | 415 | 416 | 369 | 418 | |

C212/C312 Dimensions

C212H
C312H

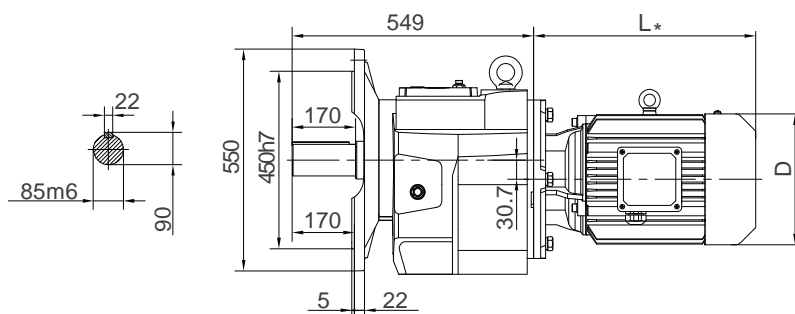


Horizontal foot - mounted

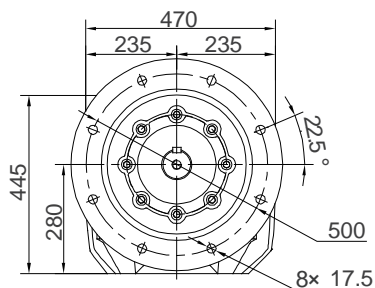


Weight: 175kg (Without motor and oil)

C212F
C312F

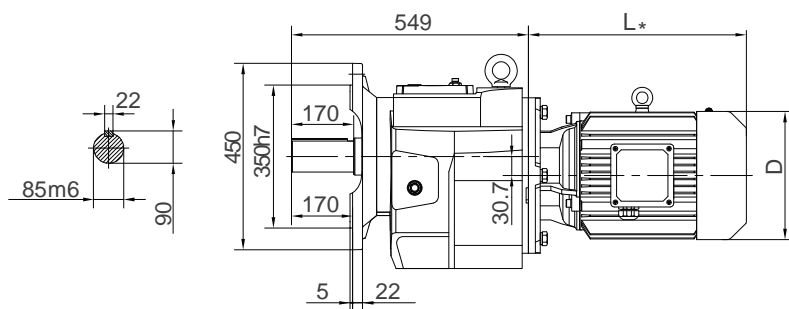


Flange - mounted

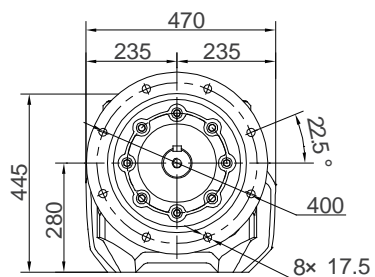


Weight: 205kg (Without motor and oil)

C212S
C312S

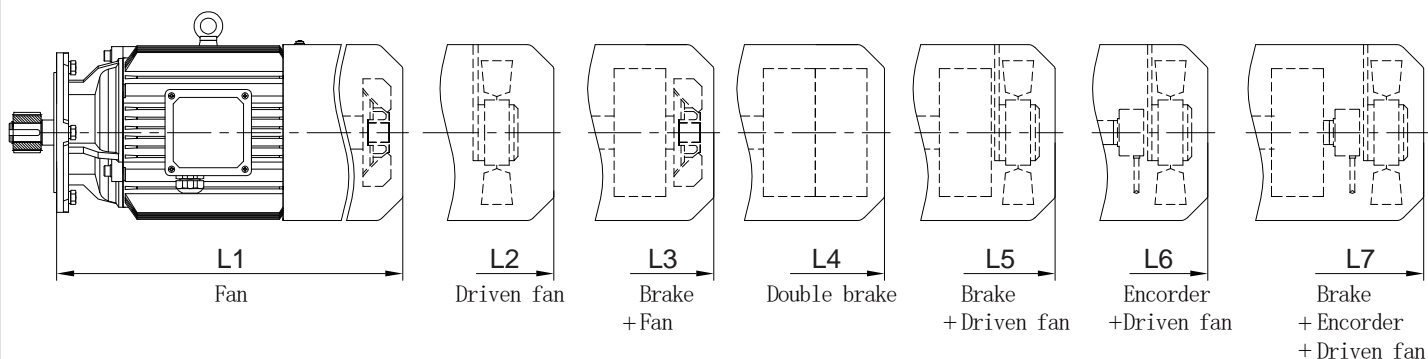


Short flange - mounted



Weight: 195kg (Without motor and oil)

Corresponding motor dimension table for C212/C312



Directly connected motor dimension table

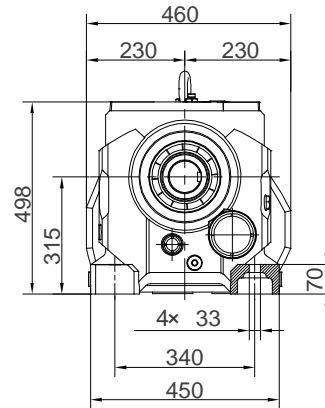
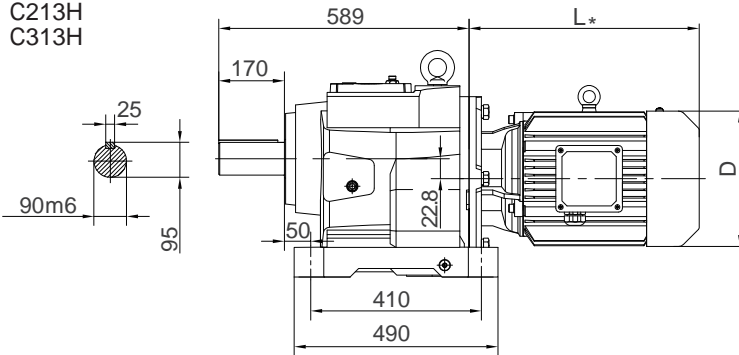
| | | MS | | | | | | | MH | | | | | | | MP | | | | | | | D |
|------|----------|-----|-----|-----|-----|-----|-----|-----|-----|-----|-----|-----|-----|-----|-----|-----|-----|-----|-----|-----|-----|-----|---|
| | | L1 | L2 | L3 | L4 | L5 | L6 | L7 | L1 | L2 | L3 | L4 | L5 | L6 | L7 | L1 | L2 | L3 | L5 | L6 | L7 | | |
| 1.5 | 160-280 | 300 | 345 | 355 | 415 | 400 | 400 | 455 | 300 | 345 | 355 | / | 400 | 400 | 455 | 325 | 370 | 380 | 425 | 425 | 480 | 176 | |
| 2.2 | 112-280 | 370 | 410 | 445 | 505 | 485 | 485 | 540 | 370 | 410 | 445 | / | 485 | 485 | 540 | 370 | 410 | 445 | 485 | 485 | 540 | 202 | |
| 3 | 80-280 | 370 | 410 | 445 | 505 | 485 | 485 | 540 | 370 | 410 | 445 | / | 485 | 485 | 540 | 370 | 410 | 445 | 485 | 485 | 540 | 202 | |
| 4 | 63-280 | 366 | 416 | 441 | 501 | 491 | 491 | 546 | 434 | 484 | 509 | / | 559 | 559 | 614 | 434 | 484 | 509 | 559 | 559 | 614 | 220 | |
| 5.5 | 50-140 | 401 | 451 | 481 | 546 | 526 | 526 | 581 | 401 | 451 | 481 | / | 526 | 526 | 581 | 439 | 489 | 519 | 564 | 564 | 619 | 259 | |
| 7.5 | 35.5-140 | 439 | 489 | 519 | 584 | 564 | 564 | 619 | 439 | 489 | 519 | / | 564 | 564 | 619 | 477 | 527 | 557 | 602 | 602 | 657 | 259 | |
| 11 | 20-100 | / | 524 | 584 | / | 614 | 614 | 664 | 489 | 524 | 584 | 634 | 614 | 614 | 664 | 533 | 568 | 628 | 658 | 658 | 708 | 314 | |
| 15 | 16-71 | / | 568 | 628 | / | 658 | 658 | 708 | 533 | 568 | 628 | 678 | 658 | 658 | 708 | 563 | 598 | 658 | 688 | 688 | 738 | 314 | |
| 18.5 | 12.5-63 | / | 634 | 714 | / | 739 | 739 | 784 | 604 | 634 | 714 | 769 | 714 | 739 | 784 | 604 | 634 | 714 | 739 | 739 | 784 | 356 | |
| 22 | 11.2-56 | / | 682 | 762 | / | 787 | 787 | 832 | 652 | 682 | 762 | 817 | 762 | 787 | 832 | 652 | 682 | 762 | 787 | 787 | 832 | 356 | |
| 30 | 5.6-40 | / | 710 | 820 | / | 825 | 825 | 870 | 705 | 710 | 820 | 845 | 825 | 825 | 870 | 705 | 710 | 820 | 825 | 825 | 870 | 398 | |
| 37 | 4.5-31.5 | / | 776 | 861 | / | 891 | 891 | 936 | 746 | 776 | 861 | / | 891 | 891 | 936 | 746 | 776 | 861 | 891 | 891 | 936 | 446 | |
| 45 | 4.5-25 | / | 776 | 861 | / | 891 | 891 | 936 | 746 | 776 | 861 | / | 891 | 891 | 936 | 746 | 776 | 861 | 891 | 891 | 936 | 446 | |

Directly connected motor weight table / kg

| | | MS | | | | | | | MH | | | | | | | MP | | | | | | | |
|------|----------|----|-----|-----|----|-----|-----|-----|-----|-----|-----|-----|-----|-----|-----|-----|-----|-----|-----|-----|-----|--|--|
| | | M1 | M2 | M3 | M4 | M5 | M6 | M7 | M1 | M2 | M3 | M4 | M5 | M6 | M7 | M1 | M2 | M3 | M5 | M6 | M7 | | |
| 1.5 | 160-280 | 17 | 18 | 21 | 25 | 22 | 19 | 23 | 19 | 20 | 23 | / | 24 | 21 | 25 | 23 | 24 | 27 | 28 | 25 | 29 | | |
| 2.2 | 112-280 | 27 | 28 | 35 | 42 | 36 | 29 | 37 | 30 | 31 | 38 | / | 39 | 32 | 40 | 32 | 33 | 40 | 41 | 34 | 42 | | |
| 3 | 80-280 | 30 | 31 | 38 | 45 | 39 | 32 | 40 | 33 | 34 | 41 | / | 42 | 35 | 43 | 36 | 37 | 44 | 45 | 38 | 46 | | |
| 4 | 63-280 | 45 | 46 | 53 | 61 | 54 | 47 | 55 | 52 | 53 | 60 | / | 61 | 54 | 62 | 56 | 57 | 64 | 65 | 58 | 66 | | |
| 5.5 | 50-140 | 63 | 65 | 74 | 85 | 76 | 66 | 77 | 67 | 69 | 78 | / | 80 | 70 | 81 | 77 | 79 | 88 | 90 | 80 | 91 | | |
| 7.5 | 35.5-140 | 73 | 75 | 84 | 95 | 86 | 76 | 87 | 80 | 82 | 91 | / | 93 | 83 | 94 | 88 | 90 | 99 | 101 | 91 | 102 | | |
| 11 | 20-100 | / | 123 | 142 | / | 143 | 124 | 144 | 121 | 123 | 142 | 162 | 143 | 124 | 144 | 129 | 131 | 150 | 151 | 132 | 152 | | |
| 15 | 16-71 | / | 141 | 160 | / | 161 | 142 | 162 | 139 | 141 | 160 | 180 | 161 | 142 | 162 | 161 | 163 | 182 | 183 | 164 | 184 | | |
| 18.5 | 12.5-63 | / | 184 | 214 | / | 215 | 185 | 217 | 182 | 184 | 214 | 246 | 215 | 185 | 217 | 200 | 202 | 232 | 233 | 203 | 235 | | |
| 22 | 11.2-56 | / | 206 | 236 | / | 237 | 207 | 239 | 204 | 206 | 236 | 268 | 237 | 207 | 239 | 220 | 222 | 252 | 253 | 223 | 255 | | |
| 30 | 5.6-40 | / | 260 | 310 | / | 308 | 261 | 310 | 260 | 260 | 310 | 360 | 308 | 261 | 310 | 280 | 280 | 330 | 328 | 281 | 330 | | |
| 37 | 4.5-31.5 | / | 332 | 380 | / | 381 | 334 | 383 | 330 | 332 | 380 | / | 381 | 334 | 383 | 345 | 347 | 395 | 396 | 349 | 398 | | |
| 45 | 4.5-25 | / | 347 | 395 | / | 396 | 349 | 398 | 345 | 347 | 395 | / | 396 | 349 | 398 | 365 | 367 | 415 | 416 | 369 | 418 | | |

C213/C313 Dimensions

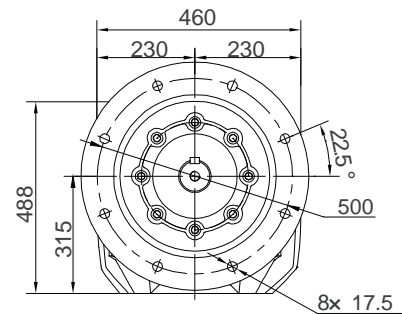
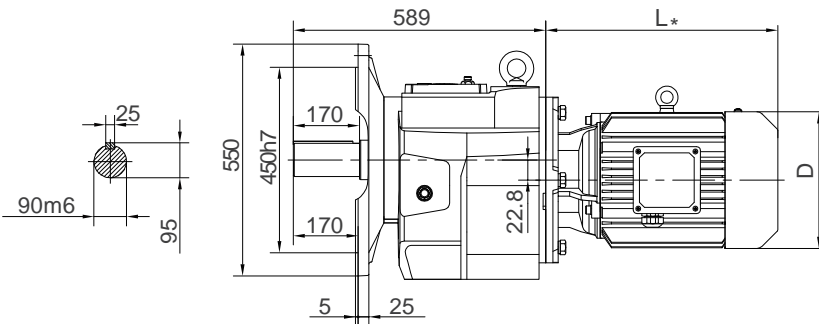
C213H
C313H



Horizontal foot - mounted

Weight: 255kg (Without motor and oil)

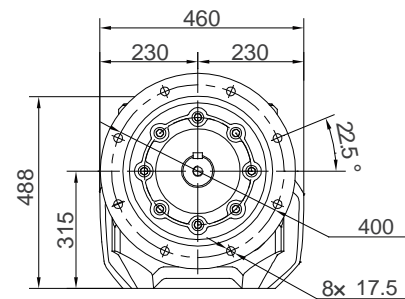
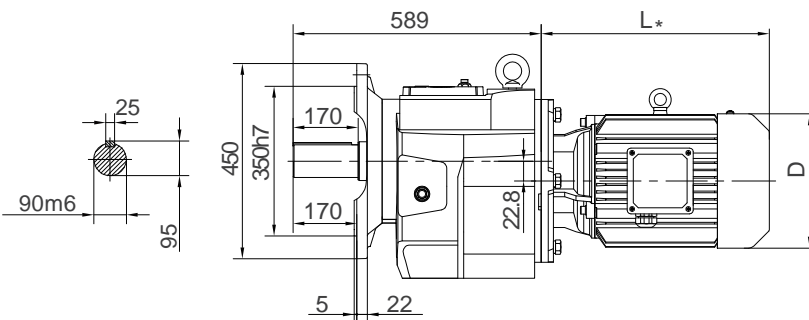
C213F
C313F



Flange - mounted

Weight: 278kg (Without motor and oil)

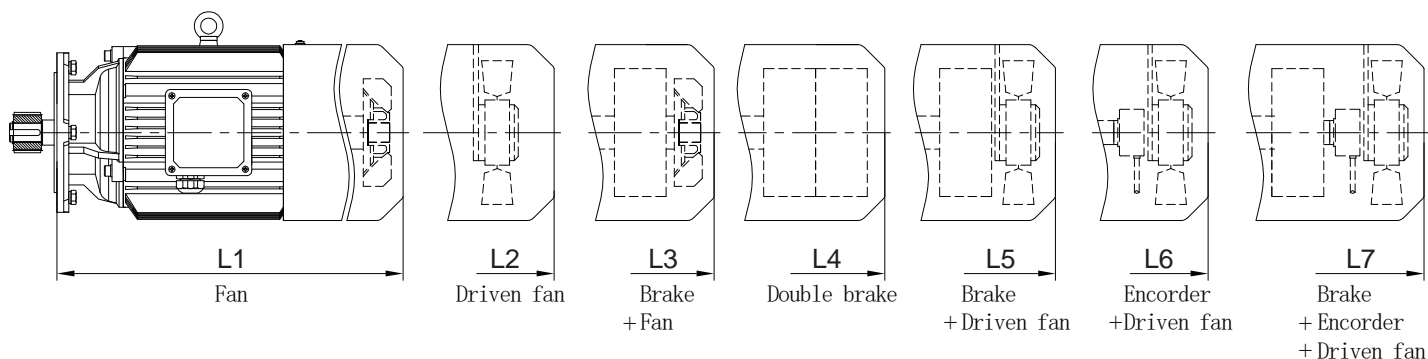
C213S
C313S



Short flange - mounted

Weight: 262kg (Without motor and oil)

Corresponding motor dimension table for C213/C313



Directly connected motor dimension table

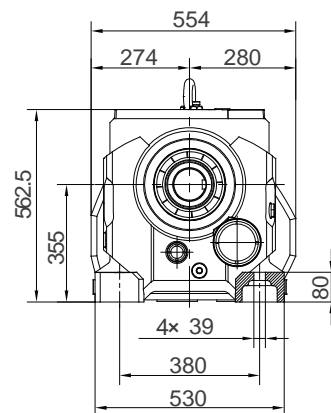
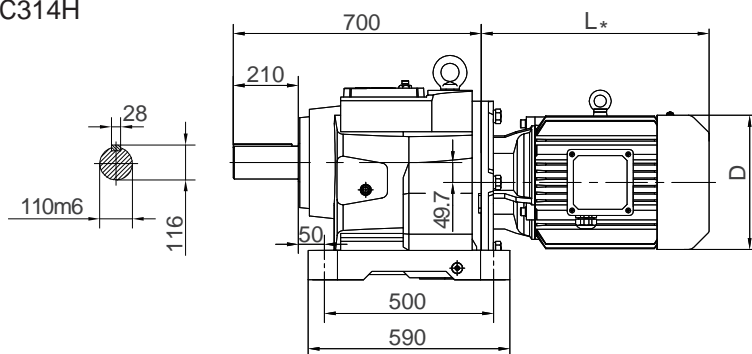
| | | MS | | | | | | | MH | | | | | | | MP | | | | | | | D |
|------|----------|-----|-----|-----|-----|-----|-----|------|-----|-----|-----|-----|-----|-----|------|-----|-----|-----|-----|-----|------|-----|---|
| | | L1 | L2 | L3 | L4 | L5 | L6 | L7 | L1 | L2 | L3 | L4 | L5 | L6 | L7 | L1 | L2 | L3 | L5 | L6 | L7 | | |
| 2.2 | 160-224 | 359 | 399 | 434 | 494 | 474 | 474 | 529 | 359 | 399 | 434 | / | 474 | 474 | 529 | 359 | 399 | 434 | 474 | 474 | 529 | 202 | |
| 3 | 112-224 | 359 | 399 | 434 | 494 | 474 | 474 | 529 | 359 | 399 | 434 | / | 474 | 474 | 529 | 359 | 399 | 434 | 474 | 474 | 529 | 202 | |
| 4 | 80-224 | 355 | 405 | 430 | 490 | 480 | 480 | 535 | 423 | 473 | 498 | / | 548 | 548 | 603 | 423 | 473 | 498 | 548 | 548 | 603 | 220 | |
| 5.5 | 56-125 | 391 | 441 | 471 | 536 | 516 | 516 | 571 | 391 | 441 | 471 | / | 516 | 516 | 571 | 429 | 479 | 509 | 554 | 554 | 609 | 259 | |
| 7.5 | 45-125 | 429 | 479 | 509 | 574 | 554 | 554 | 609 | 429 | 479 | 509 | / | 554 | 554 | 609 | 467 | 517 | 547 | 592 | 592 | 647 | 259 | |
| 11 | 28-125 | / | 508 | 568 | / | 598 | 598 | 648 | 473 | 508 | 568 | 618 | 598 | 598 | 648 | 517 | 552 | 612 | 642 | 642 | 692 | 314 | |
| 15 | 22.4-100 | / | 552 | 612 | / | 642 | 642 | 692 | 517 | 552 | 612 | 662 | 642 | 642 | 692 | 547 | 582 | 642 | 672 | 672 | 722 | 314 | |
| 18.5 | 18-80 | / | 618 | 698 | / | 723 | 723 | 768 | 588 | 618 | 698 | 753 | 698 | 723 | 768 | 588 | 618 | 698 | 723 | 723 | 768 | 356 | |
| 22 | 14-63 | / | 666 | 746 | / | 771 | 771 | 816 | 636 | 666 | 746 | 801 | 746 | 771 | 816 | 636 | 666 | 746 | 771 | 771 | 816 | 356 | |
| 30 | 10-50 | / | 689 | 799 | / | 804 | 804 | 849 | 684 | 689 | 799 | 824 | 804 | 804 | 849 | 684 | 689 | 799 | 804 | 804 | 849 | 398 | |
| 37 | 9-40 | / | 755 | 840 | / | 870 | 870 | 915 | 725 | 755 | 840 | / | 870 | 870 | 915 | 725 | 755 | 840 | 870 | 870 | 915 | 446 | |
| 45 | 4-31.5 | / | 755 | 840 | / | 870 | 870 | 915 | 725 | 755 | 840 | / | 870 | 870 | 915 | 725 | 755 | 840 | 870 | 870 | 915 | 446 | |
| 55 | 4-22.4 | / | 856 | 981 | / | 991 | 991 | 1026 | 841 | 856 | 981 | / | 991 | 991 | 1036 | 841 | 856 | 981 | 991 | 991 | 1036 | 485 | |

Directly connected motor weight table / kg

| | | MS | | | | | | | MH | | | | | | | MP | | | | | | |
|------|----------|----|-----|-----|----|-----|-----|-----|-----|-----|-----|-----|-----|-----|-----|-----|-----|-----|-----|-----|-----|--|
| | | M1 | M2 | M3 | M4 | M5 | M6 | M7 | M1 | M2 | M3 | M4 | M5 | M6 | M7 | M1 | M2 | M3 | M5 | M6 | M7 | |
| 2.2 | 160-224 | 27 | 28 | 35 | 42 | 36 | 29 | 37 | 30 | 31 | 38 | / | 39 | 32 | 40 | 32 | 33 | 40 | 41 | 34 | 42 | |
| 3 | 112-224 | 30 | 31 | 38 | 45 | 39 | 32 | 40 | 33 | 34 | 41 | / | 42 | 35 | 43 | 36 | 37 | 44 | 45 | 38 | 46 | |
| 4 | 80-224 | 45 | 46 | 53 | 61 | 54 | 47 | 55 | 52 | 53 | 60 | / | 61 | 54 | 62 | 56 | 57 | 64 | 65 | 58 | 66 | |
| 5.5 | 56-125 | 63 | 65 | 74 | 85 | 76 | 66 | 77 | 67 | 69 | 78 | / | 80 | 70 | 81 | 77 | 79 | 88 | 90 | 80 | 91 | |
| 7.5 | 45-125 | 73 | 75 | 84 | 95 | 86 | 76 | 87 | 80 | 82 | 91 | / | 93 | 83 | 94 | 88 | 90 | 99 | 101 | 91 | 102 | |
| 11 | 28-125 | / | 123 | 142 | / | 143 | 124 | 144 | 121 | 123 | 142 | 162 | 143 | 124 | 144 | 129 | 131 | 150 | 151 | 132 | 152 | |
| 15 | 22.4-100 | / | 141 | 160 | / | 161 | 142 | 162 | 139 | 141 | 160 | 180 | 161 | 142 | 162 | 161 | 163 | 182 | 183 | 164 | 184 | |
| 18.5 | 18-80 | / | 184 | 214 | / | 215 | 185 | 217 | 182 | 184 | 214 | 246 | 215 | 185 | 217 | 200 | 202 | 232 | 233 | 203 | 235 | |
| 22 | 14-63 | / | 206 | 236 | / | 237 | 207 | 239 | 204 | 206 | 236 | 268 | 237 | 207 | 239 | 220 | 222 | 252 | 253 | 223 | 255 | |
| 30 | 10-50 | / | 260 | 310 | / | 308 | 261 | 310 | 260 | 260 | 310 | 360 | 308 | 261 | 310 | 280 | 280 | 330 | 328 | 281 | 330 | |
| 37 | 9-40 | / | 332 | 380 | / | 381 | 334 | 383 | 330 | 332 | 380 | / | 381 | 334 | 383 | 345 | 347 | 395 | 396 | 349 | 398 | |
| 45 | 4-31.5 | / | 347 | 395 | / | 396 | 349 | 398 | 345 | 347 | 395 | / | 396 | 349 | 398 | 365 | 367 | 415 | 416 | 369 | 418 | |
| 55 | 4-22.4 | / | 436 | 540 | / | 535 | 436 | 537 | 435 | 436 | 540 | / | 535 | 436 | 537 | 470 | 471 | 575 | 570 | 471 | 572 | |

C214/C314 Dimensions

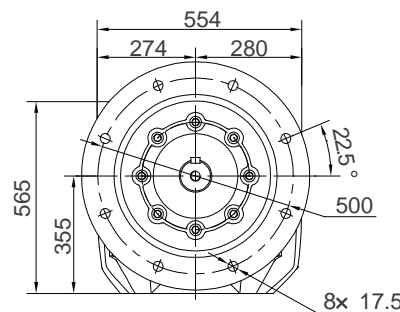
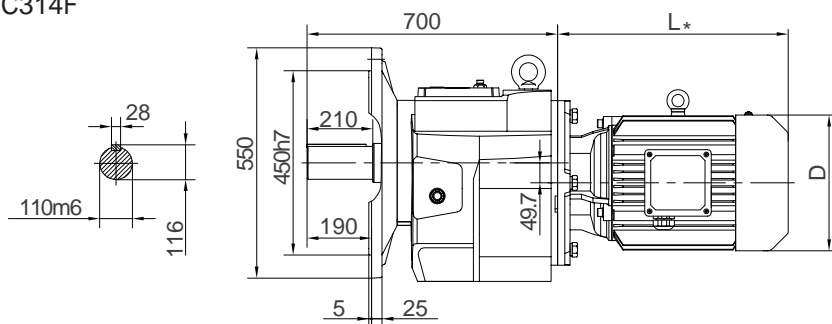
C214H
C314H



Horizontal foot - mounted

Weight: 365kg (Without motor and oil)

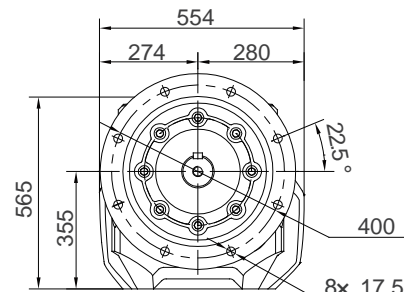
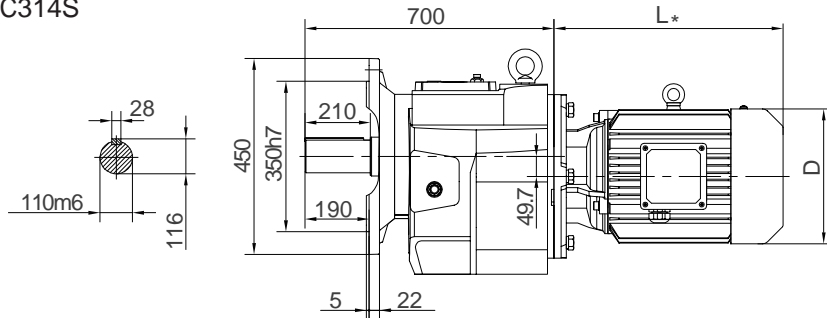
C214F
C314F



Flange - mounted

Weight: 395kg (Without motor and oil)

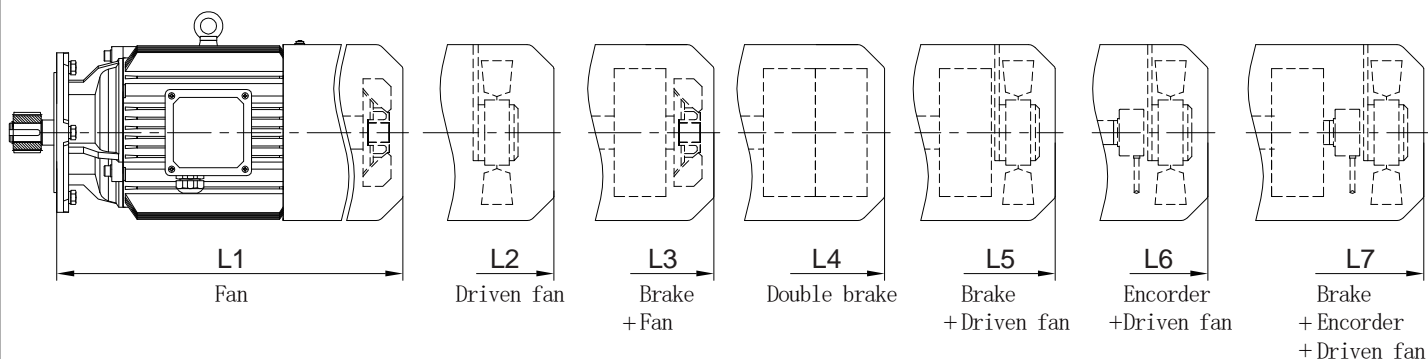
C214S
C314S



Short flange - mounted

Weight: 380kg (Without motor and oil)

Corresponding motor dimension table for C214/C314

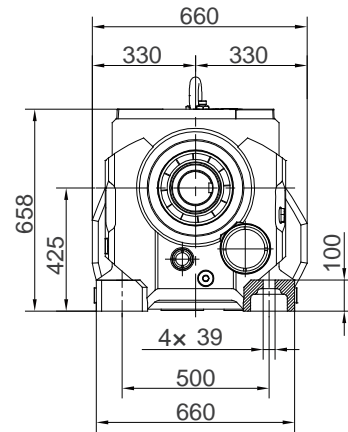
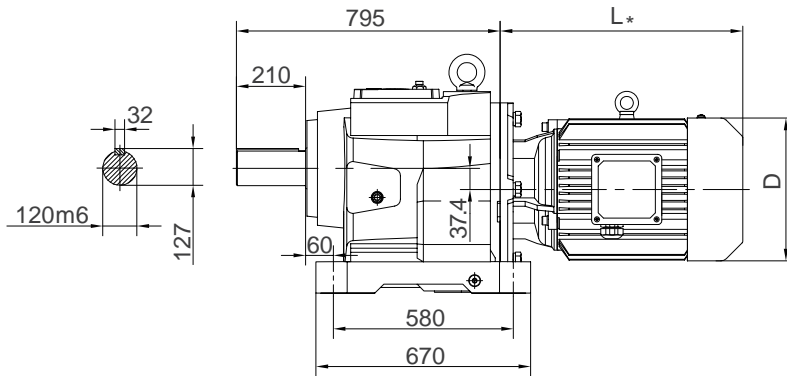


| Directly connected motor dimension table | | | | | | | | | | | | | | | | | | | | | | | |
|--|----------|-----|-----|------|-----|------|------|------|-----|-----|------|-----|------|------|------|-----|-----|------|------|------|------|-----|---|
| | | MS | | | | | | | MH | | | | | | | MP | | | | | | | D |
| | | L1 | L2 | L3 | L4 | L5 | L6 | L7 | L1 | L2 | L3 | L4 | L5 | L6 | L7 | L1 | L2 | L3 | L5 | L6 | L7 | | |
| 2.2 | 250-280 | 359 | 399 | 434 | 494 | 474 | 474 | 529 | 359 | 399 | 434 | / | 474 | 474 | 529 | 359 | 399 | 434 | 474 | 474 | 529 | 202 | |
| 3 | 180-280 | 359 | 399 | 434 | 494 | 474 | 474 | 529 | 359 | 399 | 434 | / | 474 | 474 | 529 | 359 | 399 | 434 | 474 | 474 | 529 | 202 | |
| 4 | 140-280 | 355 | 405 | 430 | 490 | 480 | 480 | 535 | 423 | 473 | 498 | / | 548 | 548 | 603 | 423 | 473 | 498 | 548 | 548 | 603 | 220 | |
| 5.5 | 100-200 | 391 | 441 | 471 | 536 | 516 | 516 | 571 | 391 | 441 | 471 | / | 516 | 516 | 571 | 429 | 479 | 509 | 554 | 554 | 609 | 259 | |
| 7.5 | 71-200 | 429 | 479 | 509 | 574 | 554 | 554 | 609 | 429 | 479 | 509 | / | 554 | 554 | 609 | 467 | 517 | 547 | 592 | 592 | 647 | 259 | |
| 11 | 50-200 | / | 508 | 568 | / | 598 | 598 | 648 | 473 | 508 | 568 | 618 | 598 | 598 | 648 | 517 | 552 | 612 | 642 | 642 | 692 | 314 | |
| 15 | 35.5-160 | / | 552 | 612 | / | 642 | 642 | 692 | 517 | 552 | 612 | 662 | 642 | 642 | 692 | 547 | 582 | 642 | 672 | 672 | 722 | 314 | |
| 18.5 | 28-140 | / | 618 | 698 | / | 723 | 723 | 768 | 588 | 618 | 698 | 753 | 698 | 723 | 768 | 588 | 618 | 698 | 723 | 723 | 768 | 356 | |
| 22 | 25-112 | / | 666 | 746 | / | 771 | 771 | 816 | 636 | 666 | 746 | 801 | 746 | 771 | 816 | 636 | 666 | 746 | 771 | 771 | 816 | 356 | |
| 30 | 18-80 | / | 689 | 799 | / | 804 | 804 | 849 | 684 | 689 | 799 | 824 | 804 | 804 | 849 | 684 | 689 | 799 | 804 | 804 | 849 | 398 | |
| 37 | 14-71 | / | 755 | 840 | / | 870 | 870 | 915 | 725 | 755 | 840 | / | 870 | 870 | 915 | 725 | 755 | 840 | 870 | 870 | 915 | 446 | |
| 45 | 12.5-56 | / | 755 | 840 | / | 870 | 870 | 915 | 725 | 755 | 840 | / | 870 | 870 | 915 | 725 | 755 | 840 | 870 | 870 | 915 | 446 | |
| 55 | 10-45 | / | 856 | 981 | / | 991 | 991 | 1026 | 841 | 856 | 981 | / | 991 | 991 | 1036 | 841 | 856 | 981 | 991 | 991 | 1036 | 485 | |
| 75 | 5.6-25 | / | 916 | 1026 | / | 1061 | 1061 | 1106 | 886 | 916 | 1026 | / | 1061 | 1061 | 1106 | 886 | 916 | 1026 | 1061 | 1061 | 1106 | 547 | |
| 90 | 4.5-25 | / | 967 | 1077 | / | 1112 | 1112 | 1157 | 937 | 967 | 1077 | / | 1112 | 1112 | 1157 | 937 | 967 | 1077 | 1112 | 1112 | 1157 | 547 | |

| Directly connected motor weight table / kg | | | | | | | | | | | | | | | | | | | | | | |
|--|----------|----|-----|-----|----|-----|-----|-----|-----|-----|-----|-----|-----|-----|-----|-----|-----|-----|-----|-----|-----|--|
| | | MS | | | | | | | MH | | | | | | | MP | | | | | | |
| | | M1 | M2 | M3 | M4 | M5 | M6 | M7 | M1 | M2 | M3 | M4 | M5 | M6 | M7 | M1 | M2 | M3 | M5 | M6 | M7 | |
| 2.2 | 250-280 | 27 | 28 | 35 | 42 | 36 | 29 | 37 | 30 | 31 | 38 | / | 39 | 32 | 40 | 32 | 33 | 40 | 41 | 34 | 42 | |
| 3 | 180-280 | 30 | 31 | 38 | 45 | 39 | 32 | 40 | 33 | 34 | 41 | / | 42 | 35 | 43 | 36 | 37 | 44 | 45 | 38 | 46 | |
| 4 | 140-280 | 45 | 46 | 53 | 61 | 54 | 47 | 55 | 52 | 53 | 60 | / | 61 | 54 | 62 | 56 | 57 | 64 | 65 | 58 | 66 | |
| 5.5 | 100-200 | 63 | 65 | 74 | 85 | 76 | 66 | 77 | 67 | 69 | 78 | / | 80 | 70 | 81 | 77 | 79 | 88 | 90 | 80 | 91 | |
| 7.5 | 71-200 | 73 | 75 | 84 | 95 | 86 | 76 | 87 | 80 | 82 | 91 | / | 93 | 83 | 94 | 88 | 90 | 99 | 101 | 91 | 102 | |
| 11 | 50-200 | / | 123 | 142 | / | 143 | 124 | 144 | 121 | 123 | 142 | 162 | 143 | 124 | 144 | 129 | 131 | 150 | 151 | 132 | 152 | |
| 15 | 35.5-160 | / | 141 | 160 | / | 161 | 142 | 162 | 139 | 141 | 160 | 180 | 161 | 142 | 162 | 161 | 163 | 182 | 183 | 164 | 184 | |
| 18.5 | 28-140 | / | 184 | 214 | / | 215 | 185 | 217 | 182 | 184 | 214 | 246 | 215 | 185 | 217 | 200 | 202 | 232 | 233 | 203 | 235 | |
| 22 | 25-112 | / | 206 | 236 | / | 237 | 207 | 239 | 204 | 206 | 236 | 268 | 237 | 207 | 239 | 220 | 222 | 252 | 253 | 223 | 255 | |
| 30 | 18-80 | / | 260 | 310 | / | 308 | 261 | 310 | 260 | 260 | 310 | 360 | 308 | 261 | 310 | 280 | 280 | 330 | 328 | 281 | 330 | |
| 37 | 14-71 | / | 332 | 380 | / | 381 | 334 | 383 | 330 | 332 | 380 | / | 381 | 334 | 383 | 345 | 347 | 395 | 396 | 349 | 398 | |
| 45 | 12.5-56 | / | 347 | 395 | / | 396 | 349 | 398 | 345 | 347 | 395 | / | 396 | 349 | 398 | 365 | 367 | 415 | 416 | 369 | 418 | |
| 55 | 10-45 | / | 436 | 540 | / | 535 | 436 | 537 | 435 | 436 | 540 | / | 535 | 436 | 537 | 470 | 471 | 575 | 570 | 471 | 572 | |
| 75 | 5.6-25 | / | 577 | 680 | / | 678 | 578 | 680 | 575 | 577 | 680 | / | 678 | 578 | 680 | 630 | 632 | 735 | 733 | 633 | 735 | |
| 90 | 4.5-25 | / | 647 | 750 | / | 748 | 648 | 750 | 645 | 647 | 750 | / | 748 | 648 | 750 | 710 | 712 | 815 | 813 | 713 | 815 | |

C216/C316 Dimensions

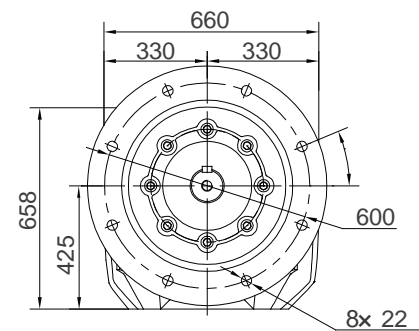
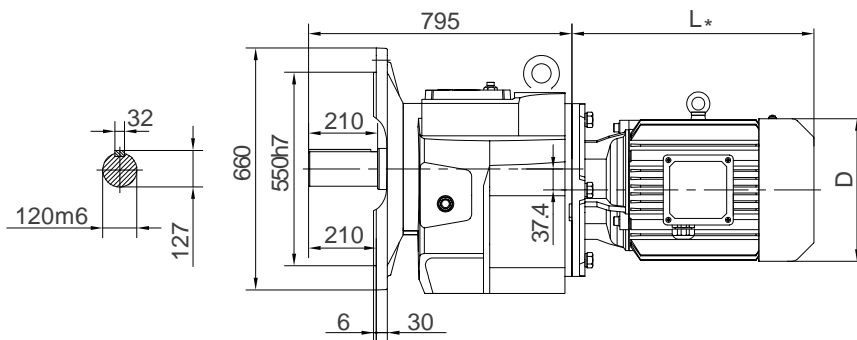
C216H
C316H



Horizontal foot - mounted

Weight: 615kg (Without motor and oil)

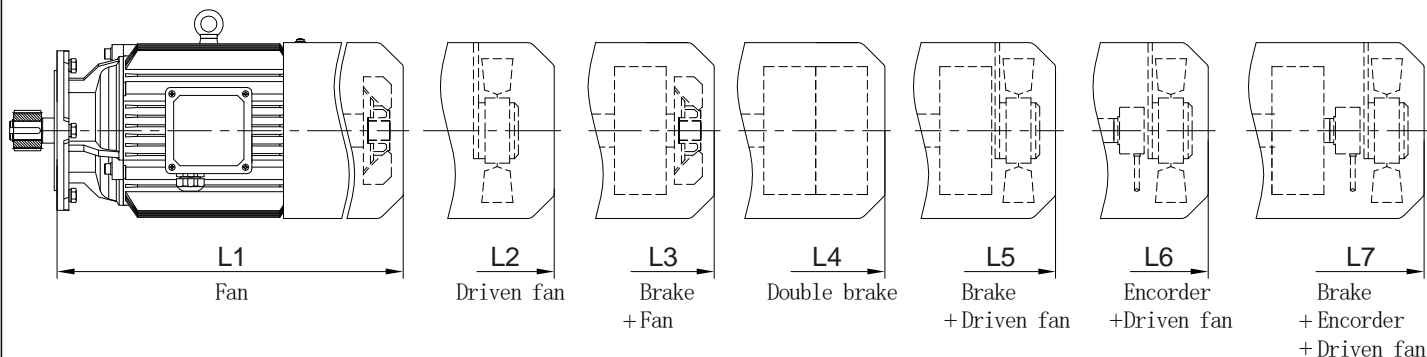
C216F
C316F



Flange - mounted

Weight: 645kg (Without motor and oil)

Corresponding motor dimension table for C216/C316



Directly connected motor dimension table

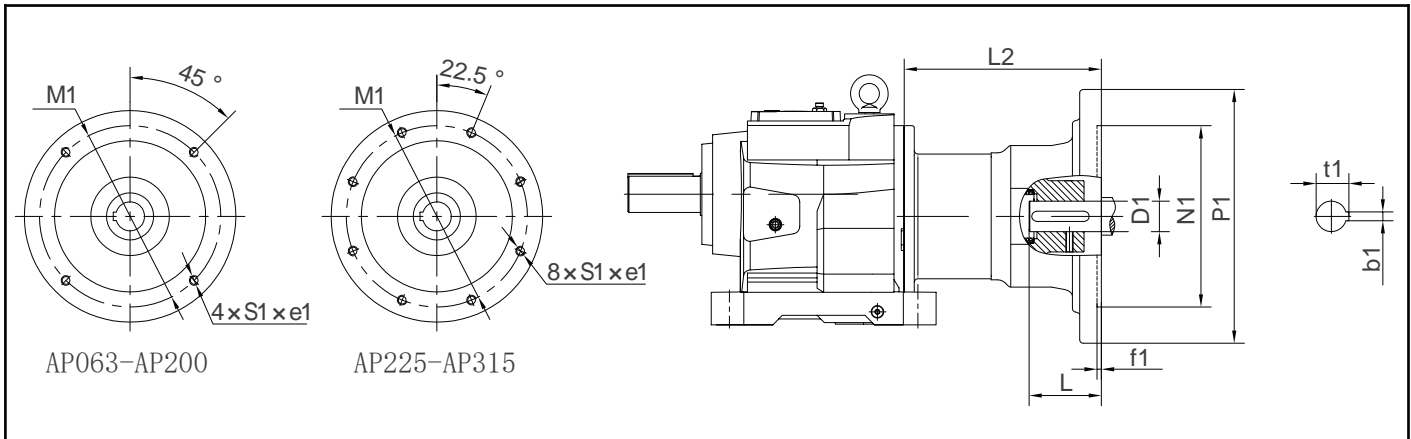
| | | MS | | | | | | | MH | | | | | | | MP | | | | | | | D |
|------|----------|-----|-----|------|-----|------|------|------|-----|-----|------|-----|------|------|------|-----|-----|------|------|------|------|-----|---|
| | | L1 | L2 | L3 | L4 | L5 | L6 | L7 | L1 | L2 | L3 | L4 | L5 | L6 | L7 | L1 | L2 | L3 | L5 | L6 | L7 | | |
| 7.5 | 100-224 | 429 | 479 | 509 | 574 | 554 | 554 | 609 | 429 | 479 | 509 | / | 554 | 554 | 609 | 467 | 517 | 547 | 592 | 592 | 647 | 259 | |
| 11 | 71-224 | / | 493 | 553 | / | 583 | 583 | 633 | 458 | 493 | 553 | 603 | 583 | 583 | 633 | 502 | 537 | 597 | 627 | 627 | 677 | 314 | |
| 15 | 50-224 | / | 537 | 597 | / | 627 | 627 | 677 | 502 | 537 | 597 | 647 | 627 | 627 | 677 | 532 | 567 | 627 | 657 | 657 | 707 | 314 | |
| 18.5 | 40-180 | / | 603 | 683 | / | 708 | 708 | 753 | 573 | 603 | 683 | 738 | 683 | 708 | 753 | 573 | 603 | 683 | 708 | 708 | 753 | 356 | |
| 22 | 35.5-160 | / | 651 | 731 | / | 756 | 756 | 801 | 621 | 651 | 731 | 786 | 731 | 756 | 801 | 621 | 651 | 731 | 756 | 756 | 801 | 356 | |
| 30 | 25-112 | / | 679 | 789 | / | 794 | 794 | 839 | 674 | 679 | 789 | 814 | 794 | 794 | 839 | 674 | 679 | 789 | 794 | 794 | 839 | 398 | |
| 37 | 20-90 | / | 745 | 830 | / | 860 | 860 | 905 | 715 | 745 | 830 | / | 860 | 860 | 905 | 715 | 745 | 830 | 860 | 860 | 905 | 446 | |
| 45 | 16-80 | / | 745 | 830 | / | 860 | 860 | 905 | 715 | 745 | 830 | / | 860 | 860 | 905 | 715 | 745 | 830 | 860 | 860 | 905 | 446 | |
| 55 | 12.5-63 | / | 846 | 971 | / | 981 | 981 | 1016 | 831 | 846 | 971 | / | 981 | 981 | 1026 | 831 | 846 | 971 | 981 | 981 | 1026 | 485 | |
| 75 | 9-45 | / | 906 | 1016 | / | 1051 | 1051 | 1096 | 876 | 906 | 1016 | / | 1051 | 1051 | 1096 | 876 | 906 | 1016 | 1051 | 1051 | 1096 | 547 | |
| 90 | 7.1-35.5 | / | 957 | 1067 | / | 1102 | 1102 | 1147 | 927 | 957 | 1067 | / | 1102 | 1102 | 1147 | 927 | 957 | 1067 | 1102 | 1102 | 1147 | 547 | |

Directly connected motor weight table / kg

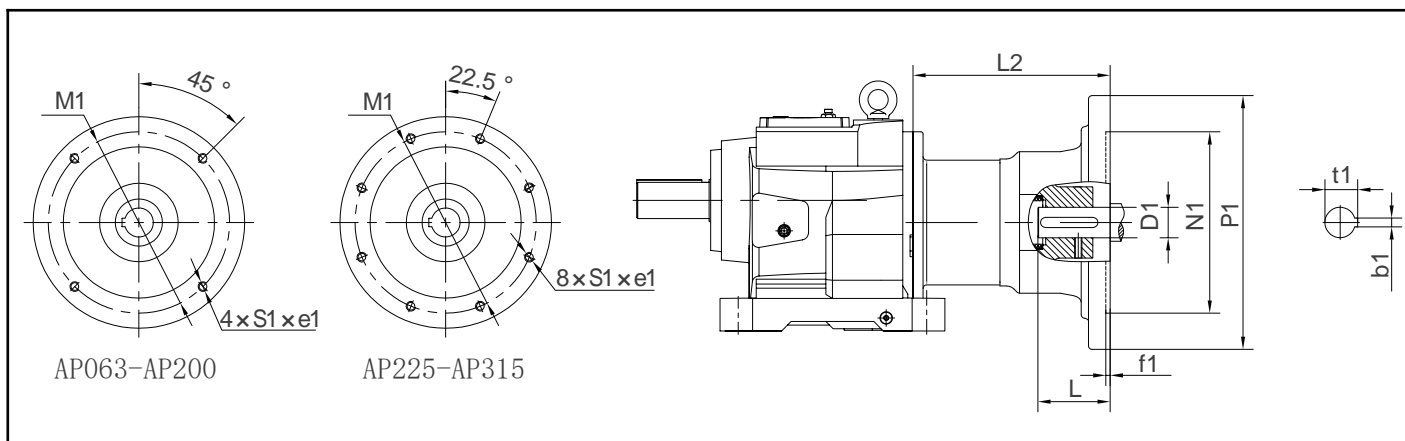
| | | MS | | | | | | | MH | | | | | | | MP | | | | | | | |
|------|----------|----|-----|-----|----|-----|-----|-----|-----|-----|-----|-----|-----|-----|-----|-----|-----|-----|-----|-----|-----|--|--|
| | | M1 | M2 | M3 | M4 | M5 | M6 | M7 | M1 | M2 | M3 | M4 | M5 | M6 | M7 | M1 | M2 | M3 | M5 | M6 | M7 | | |
| 7.5 | 100-224 | 73 | 75 | 84 | 95 | 86 | 76 | 87 | 80 | 82 | 91 | / | 93 | 83 | 94 | 88 | 90 | 99 | 101 | 91 | 102 | | |
| 11 | 71-224 | / | 123 | 142 | / | 143 | 124 | 144 | 121 | 123 | 142 | 162 | 143 | 124 | 144 | 129 | 131 | 150 | 151 | 132 | 152 | | |
| 15 | 50-224 | / | 141 | 160 | / | 161 | 142 | 162 | 139 | 141 | 160 | 180 | 161 | 142 | 162 | 161 | 163 | 182 | 183 | 164 | 184 | | |
| 18.5 | 40-180 | / | 184 | 214 | / | 215 | 185 | 217 | 182 | 184 | 214 | 246 | 215 | 185 | 217 | 200 | 202 | 232 | 233 | 203 | 235 | | |
| 22 | 35.5-160 | / | 206 | 236 | / | 237 | 207 | 239 | 204 | 206 | 236 | 268 | 237 | 207 | 239 | 220 | 222 | 252 | 253 | 223 | 255 | | |
| 30 | 25-112 | / | 260 | 310 | / | 308 | 261 | 310 | 260 | 260 | 310 | 360 | 308 | 261 | 310 | 280 | 280 | 330 | 328 | 281 | 330 | | |
| 37 | 20-90 | / | 332 | 380 | / | 381 | 334 | 383 | 330 | 332 | 380 | / | 381 | 334 | 383 | 345 | 347 | 395 | 396 | 349 | 398 | | |
| 45 | 16-80 | / | 347 | 395 | / | 396 | 349 | 398 | 345 | 347 | 395 | / | 396 | 349 | 398 | 365 | 367 | 415 | 416 | 369 | 418 | | |
| 55 | 12.5-63 | / | 436 | 540 | / | 535 | 436 | 537 | 435 | 436 | 540 | / | 535 | 436 | 537 | 470 | 471 | 575 | 570 | 471 | 572 | | |
| 75 | 9-45 | / | 577 | 680 | / | 678 | 578 | 680 | 575 | 577 | 680 | / | 678 | 578 | 680 | 630 | 632 | 735 | 733 | 633 | 735 | | |
| 90 | 7.1-35.5 | / | 647 | 750 | / | 748 | 648 | 750 | 645 | 647 | 750 | / | 748 | 648 | 750 | 710 | 712 | 815 | 813 | 713 | 815 | | |

7 Input Flange and Input Shaft

7.1 C series dimensions of AP input flange

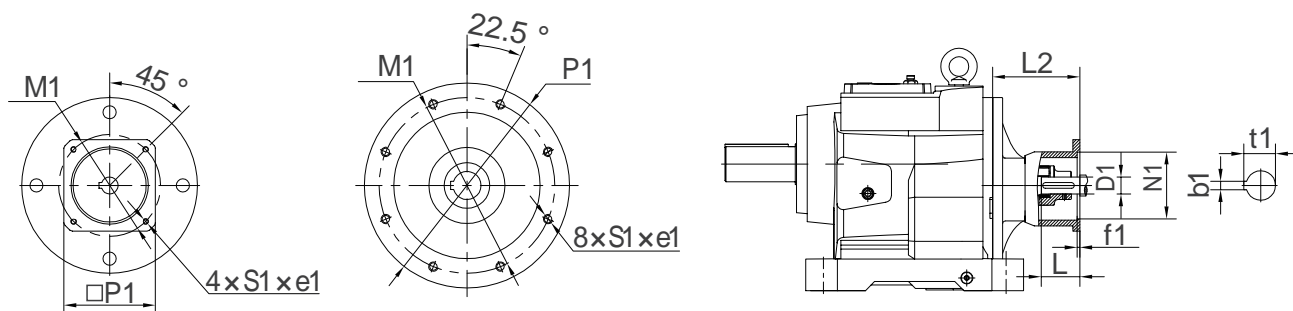


| Size | Flange | Range of Ratio | e1 | D1 | N1 | M1 | P1 | f1 | b1 | t1 | L | S1 | L2 | Weight(kg) |
|--------------|----------|----------------|------|-------|-------|-----|-----|----|------|------|-----|-----|------|------------|
| C203 C303 | AP063 | 4-90 | 14 | 11H7 | 95H7 | 115 | 140 | 4 | 4 | 12.8 | 23 | M8 | 59 | 4.8 |
| | AP071 | 4-90 | 14 | 14H7 | 110H7 | 130 | 160 | 4 | 5 | 16.3 | 30 | M8 | 59 | 4.8 |
| C204 C304 | AP080 | 4-71 | 18 | 19H7 | 130H7 | 165 | 200 | 4 | 6 | 21.8 | 40 | M10 | 74 | 7.6 |
| | AP063 | 4-125 | 14 | 11H7 | 95H7 | 115 | 140 | 4 | 4 | 12.8 | 23 | M8 | 61 | 5.1 |
| | AP071 | 4-125 | 14 | 14H7 | 110H7 | 130 | 160 | 4 | 5 | 16.3 | 30 | M8 | 61 | 5.1 |
| | AP090 | 4-100 | 18 | 19H7 | 130H7 | 165 | 200 | 4 | 6 | 21.8 | 40 | M10 | 76 | 8.6 |
| | AP100 | 4-50 | 18 | 24H7 | 130H7 | 165 | 200 | 4 | 8 | 27.3 | 50 | M10 | 81 | 9.2 |
| | AP112 | 4-25 | 21 | 28H7 | 180H7 | 215 | 250 | 5 | 8 | 31.3 | 60 | M12 | 96 | 13.3 |
| C205 C305 | AP112 | 4-11.2 | 21 | 28H7 | 180H7 | 215 | 250 | 5 | 8 | 31.3 | 60 | M12 | 96 | 13.3 |
| | AP063 | 4.5-140 | 14 | 11H7 | 95H7 | 115 | 140 | 4 | 4 | 12.8 | 23 | M8 | 61 | 5.1 |
| | AP071 | 4.5-140 | 14 | 14H7 | 110H7 | 130 | 160 | 4 | 5 | 16.3 | 30 | M8 | 61 | 5.1 |
| | AP080 | 4.5-140 | 18 | 19H7 | 130H7 | 165 | 200 | 4 | 6 | 21.8 | 40 | M10 | 76 | 8.6 |
| | AP090 | 4.5-80 | 18 | 24H7 | 130H7 | 165 | 200 | 4 | 8 | 27.3 | 50 | M10 | 81 | 9.2 |
| | AP100 | 4.5-40 | 21 | 28H7 | 180H7 | 215 | 250 | 5 | 8 | 31.3 | 60 | M12 | 96 | 13.3 |
| C206 C306 | AP112 | 4.5-22.4 | 21 | 28H7 | 180H7 | 215 | 250 | 5 | 8 | 31.3 | 60 | M12 | 96 | 13.3 |
| | AP063 | 4.5-160 | 14 | 11H7 | 95H7 | 115 | 140 | 4 | 4 | 12.8 | 23 | M8 | 61 | 5.1 |
| | AP071 | 4.5-160 | 14 | 14H7 | 110H7 | 130 | 160 | 4 | 5 | 16.3 | 30 | M8 | 61 | 5.1 |
| | AP080 | 4.5-160 | 18 | 19H7 | 130H7 | 165 | 200 | 4 | 6 | 21.8 | 40 | M10 | 76 | 8.6 |
| | AP090 | 4.5-100 | 18 | 24H7 | 130H7 | 165 | 200 | 4 | 8 | 27.3 | 50 | M10 | 81 | 9.2 |
| | AP100 | 4.5-56 | 21 | 28H7 | 180H7 | 215 | 250 | 5 | 8 | 31.3 | 60 | M12 | 96 | 13.3 |
| C207 C307 | AP112 | 4.5-31.5 | 21 | 28H7 | 180H7 | 215 | 250 | 5 | 8 | 31.3 | 60 | M12 | 96 | 13.3 |
| | AP071 | 4-180 | 14 | 14H7 | 110H7 | 130 | 160 | 4 | 5 | 16.3 | 30 | M8 | 53 | 6.7 |
| | AP080 | 4-180 | 18 | 19H7 | 130H7 | 165 | 200 | 4 | 6 | 21.8 | 40 | M10 | 68 | 10.3 |
| | AP090 | 4-100 | 18 | 24H7 | 130H7 | 165 | 200 | 4 | 8 | 27.3 | 50 | M10 | 73 | 11.1 |
| | AP100 | 4-71 | 21 | 28H7 | 180H7 | 215 | 250 | 5 | 8 | 31.3 | 60 | M12 | 86 | 14.1 |
| | AP112 | 4-40 | 21 | 28H7 | 180H7 | 215 | 250 | 5 | 8 | 31.3 | 60 | M12 | 86 | 14.1 |
| C208 C308 | AP132 | 4-28 | 21 | 38H7 | 230H7 | 265 | 300 | 5 | 10 | 41.3 | 80 | M12 | 103 | 18.7 |
| | AP080 | 20-200 | 18 | 19H7 | 130H7 | 165 | 200 | 4 | 6 | 21.8 | 40 | M10 | 65 | 10.4 |
| | AP090 | 4.5-200 | 18 | 24H7 | 130H7 | 165 | 200 | 4 | 8 | 27.3 | 50 | M10 | 66 | 12.1 |
| | AP100 | 4.5-125 | 21 | 28H7 | 180H7 | 215 | 250 | 5 | 8 | 31.3 | 60 | M12 | 81 | 15.6 |
| | AP112 | 4.5-80 | 21 | 28H7 | 180H7 | 215 | 250 | 5 | 8 | 31.3 | 60 | M12 | 81 | 15.6 |
| | AP132 | 4.5-56 | 21 | 38H7 | 230H7 | 265 | 300 | 5 | 10 | 41.3 | 80 | M12 | 96 | 21.5 |
| | AP160 | 4.5-28 | 28 | 42H7 | 250H7 | 300 | 350 | 6 | 12 | 45.3 | 110 | M16 | 132 | 30.7 |
| AP180 | 4.5-12.5 | 28 | 48H7 | 250H7 | 300 | 350 | 6 | 14 | 51.8 | 110 | M16 | 132 | 30.6 | |



| Size | Flange | Range of Ratio | e1 | D1 | N1 | M1 | P1 | f1 | b1 | t1 | L | S1 | L2 | Weight(kg) |
|--------------|----------|----------------|------|-------|-------|-----|-----|----|------|------|-----|-----|-------|------------|
| C209 C309 | AP090 | 4-224 | 18 | 24H7 | 130H7 | 165 | 200 | 4 | 8 | 27.3 | 50 | M10 | 70 | 14.7 |
| | AP100 | 4-224 | 21 | 28H7 | 180H7 | 215 | 250 | 5 | 8 | 31.3 | 60 | M12 | 83 | 17.9 |
| | AP112 | 4-125 | 21 | 28H7 | 180H7 | 215 | 250 | 5 | 8 | 31.3 | 60 | M12 | 83 | 17.9 |
| | AP132 | 4-125 | 21 | 38H7 | 230H7 | 265 | 300 | 5 | 10 | 41.3 | 80 | M12 | 94 | 22.6 |
| | AP160 | 4-56 | 28 | 42H7 | 250H7 | 300 | 350 | 6 | 12 | 45.3 | 110 | M16 | 143 | 31.7 |
| | AP180 | 4-31.5 | 28 | 48H7 | 250H7 | 300 | 350 | 6 | 14 | 51.8 | 110 | M16 | 143 | 31.6 |
| | AP200 | 4-16 | 28 | 55H7 | 300H7 | 350 | 400 | 6 | 16 | 59.3 | 110 | M16 | 154 | 38.9 |
| C210 C310 | AP100 | 4-224 | 21 | 28H7 | 180H7 | 215 | 250 | 5 | 8 | 31.3 | 60 | M12 | 69 | 23.5 |
| | AP112 | 4-200 | 21 | 28H7 | 180H7 | 215 | 250 | 5 | 8 | 31.3 | 60 | M12 | 69 | 23.5 |
| | AP132 | 4-140 | 21 | 38H7 | 230H7 | 265 | 300 | 5 | 10 | 41.3 | 80 | M12 | 83 | 26.1 |
| | AP160 | 4-71 | 28 | 42H7 | 250H7 | 300 | 350 | 6 | 12 | 45.3 | 110 | M16 | 124 | 31.8 |
| | AP180 | 4-45 | 28 | 48H7 | 250H7 | 300 | 350 | 6 | 14 | 51.8 | 110 | M16 | 124 | 31.6 |
| | AP200 | 4-28 | 28 | 55H7 | 300H7 | 350 | 400 | 6 | 16 | 59.3 | 110 | M16 | 154 | 39.5 |
| | AP225 | 4-22.4 | 28 | 60H7 | 350H7 | 400 | 450 | 6 | 18 | 64.4 | 140 | M16 | 182 | 84.3 |
| C212 C312 | AP100 | 4.5-280 | 21 | 28H7 | 180H7 | 215 | 250 | 5 | 8 | 31.3 | 60 | M12 | 69 | 23.5 |
| | AP112 | 4.5-280 | 21 | 28H7 | 180H7 | 215 | 250 | 5 | 8 | 31.3 | 60 | M12 | 69 | 23.5 |
| | AP132 | 4.5-140 | 21 | 38H7 | 230H7 | 265 | 300 | 5 | 10 | 41.3 | 80 | M12 | 83 | 26.1 |
| | AP160 | 4.5-100 | 28 | 42H7 | 250H7 | 300 | 350 | 6 | 12 | 45.3 | 110 | M16 | 124 | 31.8 |
| | AP180 | 4.5-63 | 28 | 48H7 | 250H7 | 300 | 350 | 6 | 14 | 51.8 | 110 | M16 | 124 | 31.6 |
| | AP200 | 4.5-40 | 28 | 55H7 | 300H7 | 350 | 400 | 6 | 16 | 59.3 | 110 | M16 | 154 | 39.5 |
| | AP225 | 4.5-31.5 | 28 | 60H7 | 350H7 | 400 | 450 | 6 | 18 | 64.4 | 140 | M16 | 182 | 84.3 |
| C213 C313 | AP132 | 4-125 | 21 | 38H7 | 230H7 | 265 | 300 | 5 | 10 | 41.3 | 80 | M12 | 71 | 42.1 |
| | AP160 | 4-125 | 28 | 42H7 | 250H7 | 300 | 350 | 6 | 12 | 45.3 | 110 | M16 | 110 | 48.5 |
| | AP180 | 4-80 | 28 | 48H7 | 250H7 | 300 | 350 | 6 | 14 | 51.8 | 110 | M16 | 110 | 48.2 |
| | AP200 | 4-50 | 28 | 55H7 | 300H7 | 350 | 400 | 6 | 16 | 59.3 | 110 | M16 | 138 | 57.7 |
| | AP225 | 4-40 | 28 | 60H7 | 350H7 | 400 | 450 | 6 | 18 | 64.4 | 140 | M16 | 166 | 92.6 |
| | AP250 | 4-20 | 28 | 65H7 | 450H7 | 500 | 550 | 7 | 18 | 69.4 | 140 | M16 | 171 | 109.5 |
| C214 C314 | AP132 | 4-200 | 21 | 38H7 | 230H7 | 265 | 300 | 5 | 10 | 41.3 | 80 | M12 | 71 | 42.1 |
| | AP160 | 4-200 | 28 | 42H7 | 250H7 | 300 | 350 | 6 | 12 | 45.3 | 110 | M16 | 110 | 48.5 |
| | AP180 | 4-140 | 28 | 48H7 | 250H7 | 300 | 350 | 6 | 14 | 51.8 | 110 | M16 | 110 | 48.2 |
| | AP200 | 4-80 | 28 | 55H7 | 300H7 | 350 | 400 | 6 | 16 | 59.3 | 110 | M16 | 138 | 57.7 |
| | AP225 | 4-71 | 28 | 60H7 | 350H7 | 400 | 450 | 6 | 18 | 64.4 | 140 | M16 | 166 | 92.6 |
| | AP250 | 4-45 | 28 | 65H7 | 450H7 | 500 | 550 | 7 | 18 | 69.4 | 140 | M16 | 171 | 109.5 |
| | AP280 | 4-31.5 | 28 | 75H7 | 450H7 | 500 | 550 | 7 | 20 | 79.9 | 140 | M16 | 171 | 108.6 |
| C216 C316 | AP160 | 18-224 | 28 | 42H7 | 250H7 | 300 | 350 | 6 | 12 | 45.3 | 110 | M16 | 100 | 76.1 |
| | AP180 | 18-180 | 28 | 48H7 | 250H7 | 300 | 350 | 6 | 14 | 51.8 | 110 | M16 | 100 | 75.6 |
| | AP200 | 4.5-112 | 28 | 55H7 | 300H7 | 350 | 400 | 6 | 16 | 59.3 | 110 | M16 | 120 | 86.3 |
| | AP225 | 4.5-90 | 28 | 60H7 | 350H7 | 400 | 450 | 6 | 18 | 64.4 | 140 | M16 | 148 | 94.7 |
| | AP250 | 4.5-63 | 28 | 65H7 | 450H7 | 500 | 550 | 7 | 18 | 69.4 | 140 | M16 | 153 | 122.6 |
| | AP280 | 4.5-45 | 28 | 75H7 | 450H7 | 500 | 550 | 7 | 20 | 79.9 | 140 | M16 | 153 | 120.8 |
| AP315 | 4.5-31.5 | 35 | 80H7 | 550H7 | 600 | 660 | 7 | 22 | 85.4 | 170 | M20 | 200 | 192.5 | |

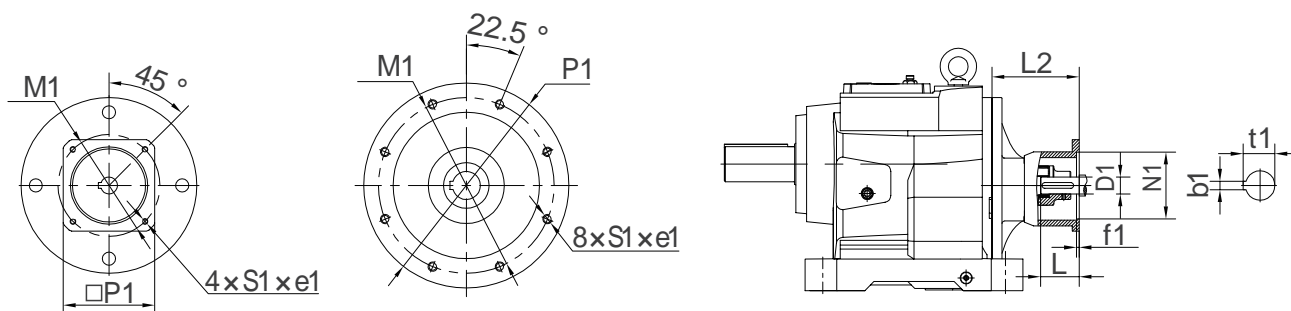
7.2 C series dimensions of AS input flange



AS040-AS315

AS450

| Size | Flange | Range of Ratio | e1 | D1 | N1 | M1 | P1 | f1 | b1 | t1 | L | S1 | L2 | Weight (kg) |
|--------------|--------|----------------|------|-------|---------|-----|-----|-----|------|------|-----|-----|------|-------------|
| C203 C303 | AS040 | 4-90 | 4 | 8H7 | 30H7 | 46 | 78 | 4 | 2 | 9 | 25 | M4 | 65 | 2.5 |
| | AS055 | 4-90 | 4 | 9H7 | 40H7 | 63 | 78 | 4 | 3 | 10.4 | 25 | M5 | 65 | 2.5 |
| | AS060 | 4-90 | 10 | 14H7 | 50H7 | 70 | 60 | 4 | 5 | 16.3 | 30 | M5 | 114 | 3.2 |
| | AS070 | 4-90 | 10 | 14H7 | 60H7 | 75 | 70 | 4 | 5 | 16.3 | 30 | M5 | 114 | 3.3 |
| | AS080 | 4-90 | 10 | 19H7 | 70H7 | 90 | 80 | 4 | 6 | 21.8 | 35 | M6 | 120 | 3.4 |
| | AS090 | 4-90 | 10 | 19H7 | 80H7 | 100 | 90 | 4 | 6 | 21.8 | 40 | M6 | 125 | 3.6 |
| | AS100 | 4-50 | 14 | 19H7 | 95H7 | 115 | 100 | 4 | 6 | 21.8 | 45 | M8 | 122 | 3.9 |
| | AS125 | 4-50 | 15 | 24H7 | 110H7 | 130 | 130 | 5 | 8 | 27 | 50 | M8 | 133 | 4.9 |
| C204 C304 | AS140 | 4-50 | 15 | 24H7 | 110H7 | 145 | 130 | 5.5 | 8 | 27 | 55 | M8 | 133 | 4.8 |
| | AS060 | 4-125 | 10 | 14H7 | 50H7 | 70 | 60 | 4 | 5 | 16.3 | 30 | M5 | 116 | 4.1 |
| | AS070 | 4-125 | 10 | 14H7 | 60H7 | 75 | 70 | 4 | 5 | 16.3 | 30 | M5 | 116 | 4.2 |
| | AS080 | 4-125 | 10 | 19H7 | 70H7 | 90 | 80 | 4 | 6 | 21.8 | 35 | M6 | 122 | 4.3 |
| | AS090 | 4-125 | 10 | 19H7 | 80H7 | 100 | 90 | 4 | 6 | 21.8 | 40 | M6 | 127 | 4.5 |
| | AS100 | 4-71 | 14 | 19H7 | 95H7 | 115 | 100 | 4 | 6 | 21.8 | 45 | M8 | 124 | 4.8 |
| | AS125 | 4-71 | 15 | 24H7 | 110H7 | 130 | 130 | 5 | 8 | 27 | 50 | M8 | 135 | 5.8 |
| | AS140 | 4-71 | 15 | 24H7 | 110H7 | 145 | 130 | 5.5 | 8 | 27 | 55 | M8 | 135 | 5.7 |
| C205 C305 | AS160 | 4-71 | 15 | 32H7 | 130H7 | 165 | 155 | 5 | 10 | 35.3 | 60 | M10 | 190 | 9.9 |
| | AS060 | 4.5-140 | 10 | 14H7 | 50H7 | 70 | 60 | 4 | 5 | 16.3 | 30 | M5 | 116 | 4.1 |
| | AS070 | 4.5-140 | 10 | 14H7 | 60H7 | 75 | 70 | 4 | 5 | 16.3 | 30 | M5 | 116 | 4.2 |
| | AS080 | 4.5-140 | 10 | 19H7 | 70H7 | 90 | 80 | 4 | 6 | 21.8 | 35 | M6 | 122 | 4.3 |
| | AS090 | 4.5-140 | 10 | 19H7 | 80H7 | 100 | 90 | 4 | 6 | 21.8 | 40 | M6 | 127 | 4.5 |
| | AS100 | 4.5-80 | 14 | 19H7 | 95H7 | 115 | 100 | 4 | 6 | 21.8 | 45 | M8 | 124 | 4.8 |
| | AS125 | 4.5-80 | 15 | 24H7 | 110H7 | 130 | 130 | 5 | 8 | 27 | 50 | M8 | 135 | 5.8 |
| | AS140 | 4.5-80 | 15 | 24H7 | 110H7 | 145 | 130 | 5.5 | 8 | 27 | 55 | M8 | 135 | 5.7 |
| C206 C306 | AS160 | 4.5-80 | 15 | 32H7 | 130H7 | 165 | 155 | 5 | 10 | 35.3 | 60 | M10 | 190 | 9.9 |
| | AS060 | 4.5-160 | 10 | 14H7 | 50H7 | 70 | 60 | 4 | 5 | 16.3 | 30 | M5 | 116 | 4.1 |
| | AS070 | 4.5-160 | 10 | 14H7 | 60H7 | 75 | 70 | 4 | 5 | 16.3 | 30 | M5 | 116 | 4.2 |
| | AS080 | 4.5-160 | 10 | 19H7 | 70H7 | 90 | 80 | 4 | 6 | 21.8 | 35 | M6 | 122 | 4.3 |
| | AS090 | 4.5-160 | 10 | 19H7 | 80H7 | 100 | 90 | 4 | 6 | 21.8 | 40 | M6 | 127 | 4.5 |
| | AS100 | 4.5-100 | 14 | 19H7 | 95H7 | 115 | 100 | 4 | 6 | 21.8 | 45 | M8 | 124 | 4.8 |
| | AS125 | 4.5-100 | 15 | 24H7 | 110H7 | 130 | 130 | 5 | 8 | 27 | 50 | M8 | 135 | 5.8 |
| | AS140 | 4.5-100 | 15 | 24H7 | 110H7 | 145 | 130 | 5.5 | 8 | 27 | 55 | M8 | 135 | 5.7 |
| C207 C307 | AS160 | 4.5-100 | 15 | 32H7 | 130H7 | 165 | 155 | 5 | 10 | 35.3 | 60 | M10 | 190 | 9.9 |
| | AS060 | 4-180 | 10 | 14H7 | 50H7 | 70 | 60 | 4 | 5 | 16.3 | 30 | M5 | 108 | 5.6 |
| | AS070 | 4-180 | 10 | 14H7 | 60H7 | 75 | 70 | 4 | 5 | 16.3 | 30 | M5 | 108 | 5.7 |
| | AS080 | 4-180 | 10 | 19H7 | 70H7 | 90 | 80 | 4 | 6 | 21.8 | 35 | M6 | 114 | 5.8 |
| | AS090 | 4-180 | 10 | 19H7 | 80H7 | 100 | 90 | 4 | 6 | 21.8 | 40 | M6 | 119 | 6 |
| | AS100 | 4-100 | 14 | 19H7 | 95H7 | 115 | 100 | 4 | 6 | 21.8 | 45 | M8 | 116 | 6.3 |
| | AS125 | 4-100 | 15 | 24H7 | 110H7 | 130 | 130 | 5 | 8 | 27 | 50 | M8 | 127 | 7.3 |
| | AS140 | 4-100 | 15 | 24H7 | 110H7 | 145 | 130 | 5.5 | 8 | 27 | 55 | M8 | 127 | 7.2 |
| | AS160 | 4-100 | 15 | 32H7 | 130H7 | 165 | 155 | 5 | 10 | 35.3 | 60 | M10 | 180 | 11.3 |
| | AS180 | 4-31.5 | 16 | 35H7 | 114.3H7 | 200 | 180 | 7 | 10 | 38.3 | 80 | M12 | 210 | 16.7 |
| AS190 | 4-31.5 | 18 | 38H7 | 180H7 | 215 | 190 | 5 | 10 | 41.3 | 80 | M12 | 210 | 17.1 | |
| AS240 | 4-31.5 | 28 | 38H7 | 230H7 | 265 | 240 | 5 | 10 | 41.3 | 80 | M12 | 210 | 22.3 | |

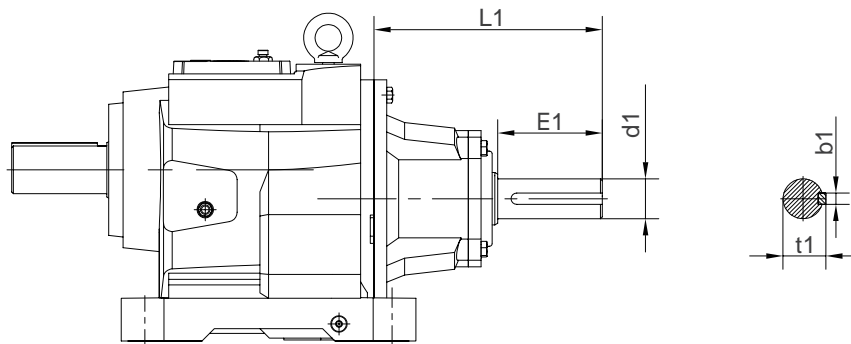


AS040-AS315

AS450

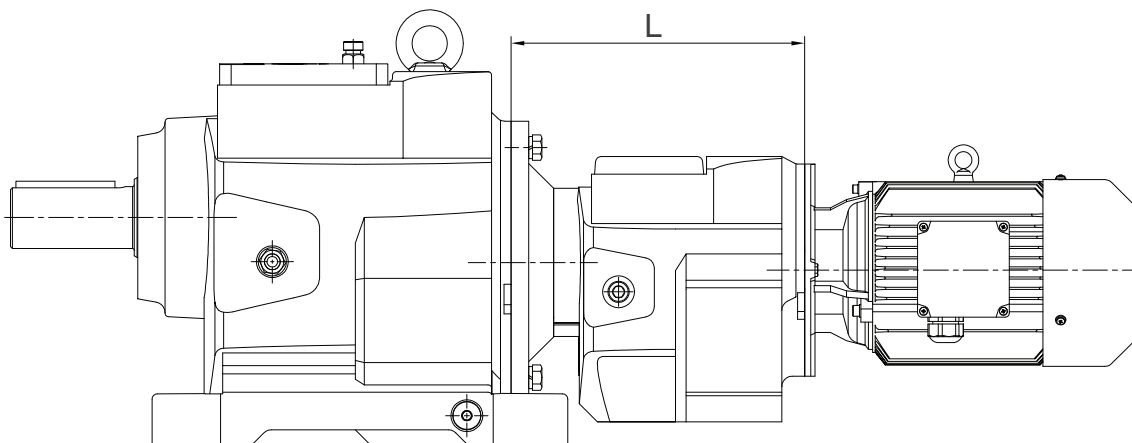
| Size | Flange | Range of Ratio | e1 | D1 | N1 | M1 | P1 | f1 | b1 | t1 | L | S1 | L2 | Weight (kg) |
|--------------|---------|----------------|------|-------|---------|-----|-----|-----|------|------|-----|-----|------|-------------|
| C208 C308 | AS070 | 20-200 | 10 | 14H7 | 60H7 | 75 | 70 | 4 | 5 | 16.3 | 30 | M5 | 105 | 8 |
| | AS080 | 20-200 | 10 | 19H7 | 70H7 | 90 | 80 | 4 | 6 | 21.8 | 35 | M6 | 111 | 8.1 |
| | AS090 | 20-200 | 10 | 19H7 | 80H7 | 100 | 90 | 4 | 6 | 21.8 | 40 | M6 | 116 | 8.3 |
| | AS100 | 4.5-160 | 14 | 19H7 | 95H7 | 115 | 100 | 4 | 6 | 21.8 | 45 | M8 | 113 | 8.6 |
| | AS125 | 4.5-160 | 15 | 24H7 | 110H7 | 130 | 130 | 5 | 8 | 27 | 50 | M8 | 124 | 9.6 |
| | AS140 | 4.5-160 | 15 | 24H7 | 110H7 | 145 | 130 | 5.5 | 8 | 27 | 55 | M8 | 124 | 9.5 |
| | AS160 | 4.5-160 | 15 | 32H7 | 130H7 | 165 | 155 | 5 | 10 | 35.3 | 60 | M10 | 170 | 14 |
| | AS180 | 4.5-71 | 16 | 35H7 | 114.3H7 | 200 | 180 | 7 | 10 | 38.3 | 80 | M12 | 203 | 19.3 |
| | AS190 | 4.5-71 | 18 | 38H7 | 180H7 | 215 | 190 | 5 | 10 | 41.3 | 80 | M12 | 203 | 19.7 |
| | AS240 | 4.5-71 | 28 | 38H7 | 230H7 | 265 | 240 | 5 | 10 | 41.3 | 80 | M12 | 203 | 24.9 |
| AS260 | 4.5-71 | 40 | 48H7 | 250H7 | 300 | 260 | 6 | 14 | 51.8 | 110 | M16 | 272 | 46.4 | |
| C209 C309 | AS160 | 4-224 | 15 | 32H7 | 130H7 | 165 | 155 | 5 | 10 | 35.3 | 60 | M10 | 171 | 17.3 |
| | AS180 | 4-112 | 16 | 35H7 | 114.3H7 | 200 | 180 | 7 | 10 | 38.3 | 80 | M12 | 202 | 22.7 |
| | AS190 | 4-112 | 18 | 38H7 | 180H7 | 215 | 190 | 5 | 10 | 41.3 | 80 | M12 | 202 | 23.1 |
| | AS240 | 4-112 | 28 | 38H7 | 230H7 | 265 | 240 | 5 | 10 | 41.3 | 80 | M12 | 202 | 28.3 |
| | AS260 | 4-112 | 40 | 48H7 | 250H7 | 300 | 260 | 6 | 14 | 51.8 | 110 | M16 | 271 | 49.9 |
| AS315 | 4-18 | 40 | 55H7 | 300H7 | 350 | 315 | 6 | 16 | 59.3 | 110 | M16 | 327 | 72.8 | |
| C210 C310 | AS160 | 4-224 | 15 | 32H7 | 130H7 | 165 | 155 | 5 | 10 | 35.3 | 60 | M10 | 161 | 21.4 |
| | AS180 | 4-140 | 16 | 35H7 | 114.3H7 | 200 | 180 | 7 | 10 | 38.3 | 80 | M12 | 189 | 28.1 |
| | AS190 | 4-140 | 18 | 38H7 | 180H7 | 215 | 190 | 5 | 10 | 41.3 | 80 | M12 | 189 | 28.5 |
| | AS240 | 4-140 | 28 | 38H7 | 230H7 | 265 | 240 | 5 | 10 | 41.3 | 80 | M12 | 189 | 33.7 |
| | AS260 | 4-140 | 40 | 48H7 | 250H7 | 300 | 260 | 6 | 14 | 51.8 | 110 | M16 | 258 | 52.3 |
| AS315 | 4-100 | 40 | 55H7 | 300H7 | 350 | 315 | 6 | 16 | 59.3 | 110 | M16 | 327 | 77.4 | |
| C212 C312 | AS160 | 4.5-280 | 15 | 32H7 | 130H7 | 165 | 155 | 5 | 10 | 35.3 | 60 | M10 | 161 | 21.4 |
| | AS180 | 4.5-140 | 16 | 35H7 | 114.3H7 | 200 | 180 | 7 | 10 | 38.3 | 80 | M12 | 189 | 28.1 |
| | AS190 | 4.5-140 | 18 | 38H7 | 180H7 | 215 | 190 | 5 | 10 | 41.3 | 80 | M12 | 189 | 28.5 |
| | AS240 | 4.5-140 | 28 | 38H7 | 230H7 | 265 | 240 | 5 | 10 | 41.3 | 80 | M12 | 189 | 33.7 |
| | AS260 | 4.5-140 | 40 | 48H7 | 250H7 | 300 | 260 | 6 | 14 | 51.8 | 110 | M16 | 258 | 52.3 |
| AS315 | 4.5-100 | 40 | 55H7 | 300H7 | 350 | 315 | 6 | 16 | 59.3 | 110 | M16 | 327 | 77.4 | |
| C213 C313 | AS180 | 4-125 | 16 | 35H7 | 114.3H7 | 200 | 180 | 7 | 10 | 38.3 | 80 | M12 | 175 | 40.8 |
| | AS190 | 4-125 | 18 | 38H7 | 180H7 | 215 | 190 | 5 | 10 | 41.3 | 80 | M12 | 175 | 41.2 |
| | AS240 | 4-125 | 28 | 38H7 | 230H7 | 265 | 240 | 5 | 10 | 41.3 | 80 | M12 | 175 | 46.4 |
| | AS260 | 4-125 | 40 | 48H7 | 250H7 | 300 | 260 | 6 | 14 | 51.8 | 110 | M16 | 244 | 66.9 |
| | AS315 | 4-100 | 40 | 55H7 | 300H7 | 350 | 315 | 6 | 16 | 59.3 | 110 | M16 | 316 | 89.8 |
| C214 C314 | AS180 | 4-200 | 16 | 35H7 | 114.3H7 | 200 | 180 | 7 | 10 | 38.3 | 80 | M12 | 175 | 40.8 |
| | AS190 | 4-200 | 18 | 38H7 | 180H7 | 215 | 190 | 5 | 10 | 41.3 | 80 | M12 | 175 | 41.2 |
| | AS240 | 4-200 | 28 | 38H7 | 230H7 | 265 | 240 | 5 | 10 | 41.3 | 80 | M12 | 175 | 46.4 |
| | AS260 | 4-200 | 40 | 48H7 | 250H7 | 300 | 260 | 6 | 14 | 51.8 | 110 | M16 | 244 | 66.9 |
| | AS315 | 4-160 | 40 | 55H7 | 300H7 | 350 | 315 | 6 | 16 | 59.3 | 110 | M16 | 316 | 89.8 |
| AS450 | 4-125 | 30 | 55H7 | 350H7 | 400 | 450 | 6 | 16 | 59.3 | 140 | M16 | 343 | 97.5 | |
| C216 C316 | AS260 | 4-200 | 40 | 48H7 | 250H7 | 300 | 260 | 6 | 14 | 51.8 | 110 | M16 | 234 | 90.9 |
| | AS315 | 4-160 | 40 | 55H7 | 300H7 | 350 | 315 | 6 | 16 | 59.3 | 110 | M16 | 298 | 109.4 |
| | AS450 | 4-125 | 30 | 55H7 | 350H7 | 400 | 450 | 6 | 16 | 59.3 | 140 | M16 | 325 | 117.1 |

7.3 C series dimensions of AE input shaft



| Size | Input Shaft | Range of Power | Range of Ratio | d1 | E1 | L1 | b1 | t1 | Weight (kg) |
|--------------|-------------|----------------|----------------|------|-----|-----|----|------|-------------|
| C203 C303 | AE2 | 0.12-0.75kW | 4-90 | 19k6 | 40 | 117 | 6 | 21.5 | 2.5 |
| C204 C304 | AE2 | 0.12-0.75kW | 4-125 | 19k6 | 40 | 119 | 6 | 21.5 | 3.4 |
| | AE3 | 1.1-4kW | 4-35.5 | 28k6 | 60 | 175 | 8 | 31 | 6.1 |
| C205 C305 | AE2 | 0.12-0.75kW | 4.5-140 | 19k6 | 40 | 119 | 6 | 21.5 | 3.4 |
| | AE3 | 1.1-4kW | 4.5-56 | 28k6 | 60 | 175 | 8 | 31 | 6.1 |
| C206 C306 | AE2 | 0.12-0.75kW | 4.5-160 | 19k6 | 40 | 119 | 6 | 21.5 | 3.4 |
| | AE3 | 1.1-4kW | 4.5-71 | 28k6 | 60 | 175 | 8 | 31 | 6.1 |
| C207 C307 | AE2 | 0.12-0.75kW | 4-180 | 19k6 | 40 | 111 | 6 | 21.5 | 4.9 |
| | AE3 | 1.1-4kW | 4-90 | 28k6 | 60 | 165 | 8 | 31 | 7.5 |
| | AE4 | 5.5-7.5kW | 4-18 | 38k6 | 80 | 211 | 10 | 41 | 10.5 |
| C208 C308 | AE2 | 0.12-0.75kW | 20-200 | 19k6 | 40 | 108 | 6 | 21.5 | 7.2 |
| | AE3 | 1.1-4kW | 4.5-160 | 28k6 | 60 | 155 | 8 | 31 | 10.2 |
| | AE4 | 5.5-11kW | 4.5-45 | 38k6 | 80 | 204 | 10 | 41 | 13.1 |
| | AE5 | 15-22kW | 4.5-18 | 42k6 | 110 | 266 | 12 | 45 | 23.3 |
| C209 C309 | AE3 | 1.1-4kW | 4-224 | 28k6 | 60 | 155 | 8 | 31 | 10.2 |
| | AE4 | 5.5-11kW | 4-71 | 38k6 | 80 | 204 | 10 | 41 | 13.1 |
| | AE5 | 15-22kW | 4-40 | 42k6 | 110 | 266 | 12 | 45 | 23.3 |
| | AE6 | 30-45kW | 4-16 | 48k6 | 110 | 327 | 14 | 51.5 | 40.9 |
| C210 C310 | AE3 | 1.1-4kW | 4-224 | 28k6 | 60 | 175 | 8 | 31 | 17.6 |
| | AE4 | 5.5-11kW | 4-100 | 38k6 | 80 | 216 | 10 | 41 | 21.9 |
| | AE5 | 15-22kW | 4-56 | 42k6 | 110 | 271 | 12 | 45 | 29.2 |
| | AE6 | 30-45kW | 4-28 | 48k6 | 110 | 327 | 14 | 51.5 | 45.5 |
| C212 C312 | AE3 | 1.1-4kW | 4.5-280 | 28k6 | 60 | 175 | 8 | 31 | 17.6 |
| | AE4 | 5.5-11kW | 4.5-140 | 38k6 | 80 | 216 | 10 | 41 | 21.9 |
| | AE5 | 15-22kW | 4.5-71 | 42k6 | 110 | 271 | 12 | 45 | 29.2 |
| | AE6 | 30-45kW | 4.5-40 | 48k6 | 110 | 327 | 14 | 51.5 | 45.5 |
| C213 C313 | AE4 | 5.5-11kW | 4-125 | 38k6 | 80 | 146 | 10 | 41 | 34.6 |
| | AE5 | 15-22kW | 4-100 | 42k6 | 110 | 190 | 12 | 45 | 43.8 |
| | AE6 | 30-45kW | 4-50 | 48k6 | 110 | 252 | 14 | 51.5 | 57.9 |
| | AE7 | 55-90kW | 4-20 | 55m6 | 110 | 314 | 16 | 59 | 64.6 |
| | AE8 | 110-132kW | 4-11.2 | 70m6 | 140 | 377 | 20 | 74.5 | 87.8 |
| C214 C314 | AE4 | 5.5-11kW | 4-200 | 38k6 | 80 | 146 | 10 | 41 | 34.6 |
| | AE5 | 15-22kW | 4-160 | 42k6 | 110 | 190 | 12 | 45 | 43.8 |
| | AE6 | 30-45kW | 4-80 | 48k6 | 110 | 252 | 14 | 51.5 | 57.9 |
| | AE7 | 55-90kW | 4-45 | 55m6 | 110 | 314 | 16 | 59 | 64.6 |
| | AE8 | 110-200kW | 4-18 | 70m6 | 140 | 377 | 20 | 74.5 | 87.8 |
| C216 C316 | AE5 | 15-22kW | 18-224 | 42k6 | 110 | 228 | 12 | 45 | 67.8 |
| | AE6 | 30-45kW | 4.5-112 | 48k6 | 110 | 280 | 14 | 51.5 | 77.5 |
| | AE7 | 55-90kW | 4.5-63 | 55m6 | 110 | 279 | 16 | 59 | 81.1 |
| | AE8 | 110-200kW | 4.5-31.5 | 70m6 | 140 | 361 | 20 | 74.5 | 104.8 |

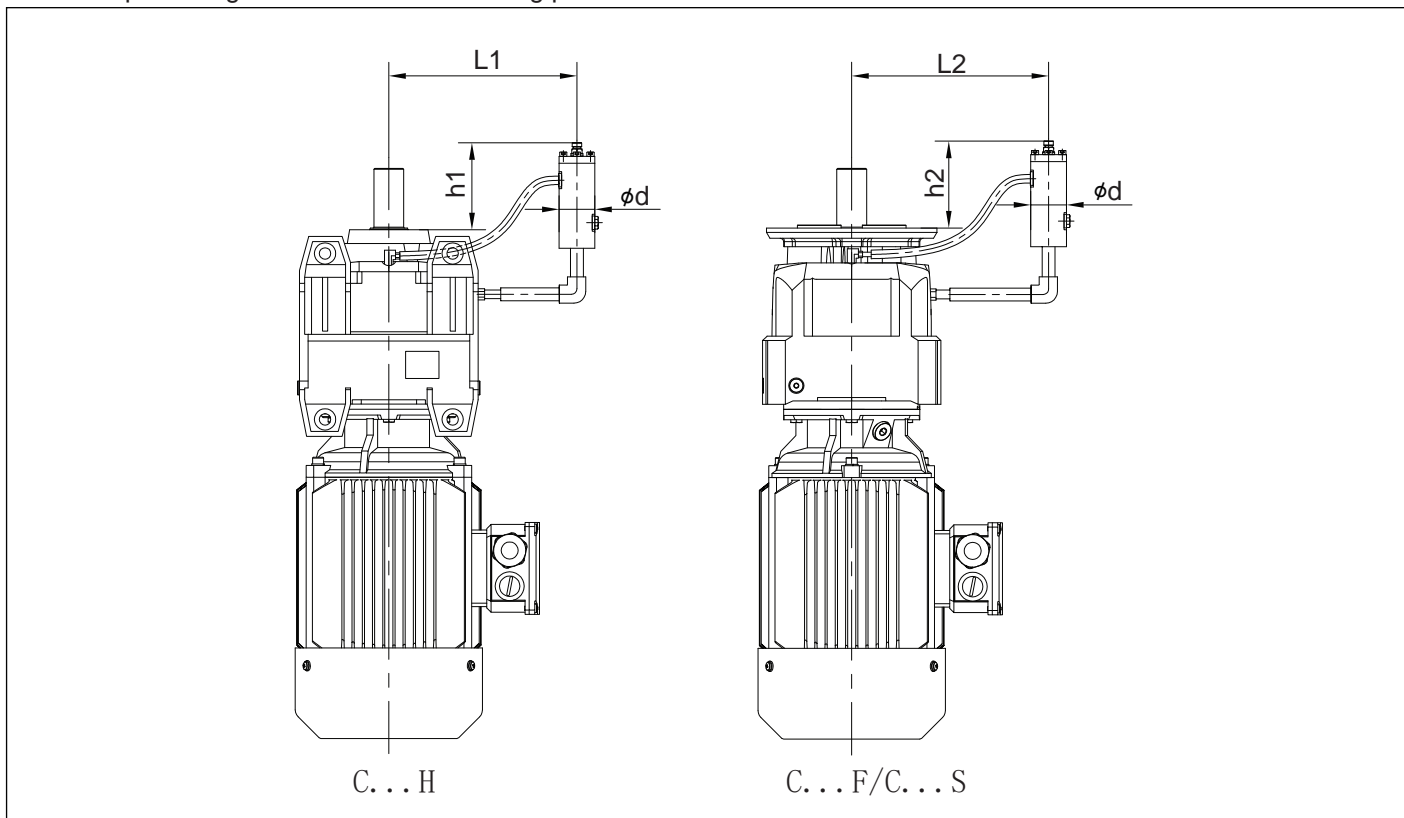
8 Combi-type Dimensions



| | | | | | | | |
|---------------------------|--|--|--|--|--|--|--|
| Type | C203/C201 C203/C301 C303/C201 C303/C301 | C204/C203 C204/C303 C304/C203 C304/C303 | C205/C203 C205/C303 C305/C203 C305/C303 | C206/C203 C206/C303 C306/C203 C306/C303 | C207/C203 C207/C303 C307/C203 C307/C303 | C208/C205 C208/C305 C308/C205 C308/C305 | C209/C205 C209/C305 C309/C205 C309/C305 |
| L | 134 | 170 | 170 | 170 | 170 | 182 | 182 |
| Range of Motor Power (kW) | 0.12-0.37 | 0.12-0.55 | 0.12-1.1 | 0.12-1.1 | 0.12-1.5 | 0.12-3 | 0.12-4 |
| Type | C210/C207 C210/C307 C310/C207 C310/C307 | C213/C207 C213/C307 C313/C207 C313/C307 | C314/C207 C314/C307 | C214/C208 C214/C308 | C316/C209 C316/C309 | C216/C210 C216/C310 | |
| L | 226 | 226 | 226 | 264 | 321 | 361 | |
| Range of Motor Power (kW) | 0.12-7.5 | 0.12-15 | 0.12-15 | 0.55-22 | 0.55-18.5 | 1.5-37 | |

9 Oil compensating tank (code 6)

Oil compensating tank for vertical mounting positions D2 of C...H/C...F/C...S.



| Size | L1 | L2 | h1 | h2 | d |
|--------------|-----|-----|-----|-----|-----|
| C203 C303 | 150 | 150 | 80 | 70 | 42 |
| C204 C304 | 160 | 160 | 80 | 80 | 42 |
| C205 C305 | 160 | 160 | 80 | 80 | 42 |
| C206 C306 | 180 | 180 | 75 | 75 | 42 |
| C207 C307 | 225 | 225 | 150 | 150 | 80 |
| C208 C308 | 250 | 250 | 130 | 130 | 80 |
| C209 C309 | 330 | 330 | 120 | 120 | 80 |
| C210 C310 | 370 | 370 | 160 | 160 | 120 |
| C212 C312 | 380 | 380 | 170 | 170 | 120 |
| C213 C313 | 390 | 390 | 160 | 160 | 120 |
| C214 C314 | 440 | 440 | 130 | 130 | 120 |
| C216 C316 | 470 | 470 | 140 | 140 | 120 |

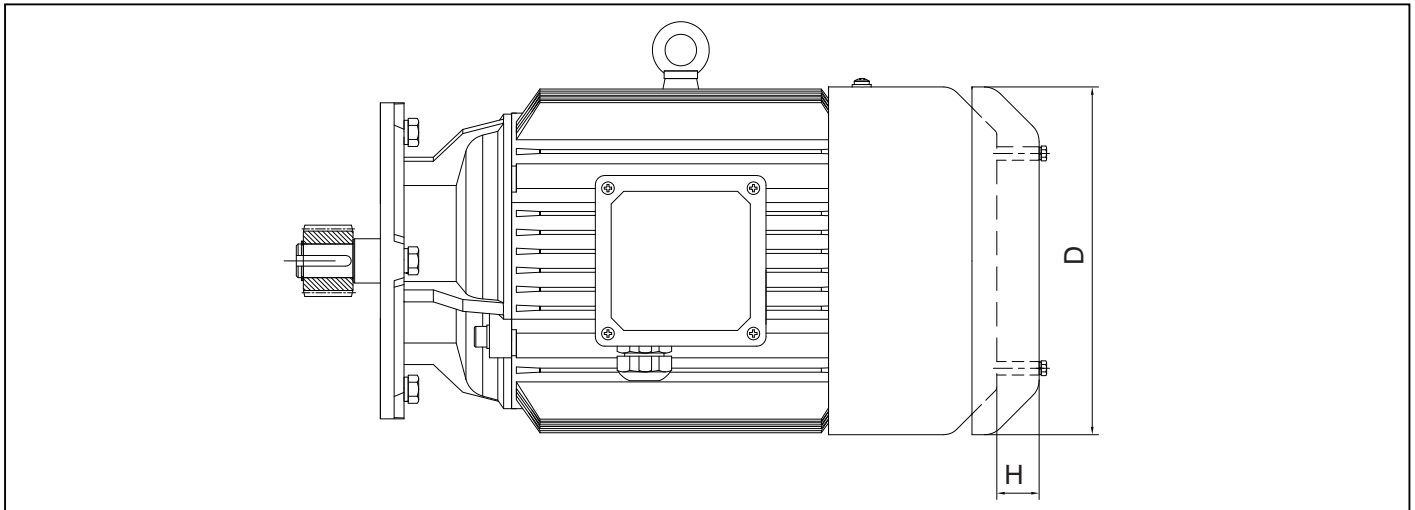
Note: In case of an upward output shaft ,normal lubrication system would fail to feed the overhead rolling bearings,To ensure an adequate supply of lubricants,the oil level has to be increased accordingly.As shown above (D2) ,an oil compensating tank with breather is attached for this purpose.

10 oil

| Mounting position Size | D1 | D2 | D3 | D4 | D5 | D6 |
|---------------------------|-----|------|------|------|------|------|
| C200H C300H | 0.2 | 0.2 | 0.2 | 0.3 | 0.2 | 0.2 |
| C201H C301H | 0.4 | 0.4 | 0.4 | 0.5 | 0.4 | 0.4 |
| C203H C303H | 0.4 | 1 | 1.1 | 1.2 | 0.9 | 1.1 |
| C204H C304H | 0.8 | 1.7 | 1.6 | 1.8 | 1.6 | 1.6 |
| C205H C305H | 0.9 | 1.9 | 1.8 | 2.1 | 1.8 | 1.8 |
| C206H C306H | 1.3 | 2.8 | 3.1 | 3.5 | 2 | 2.2 |
| C207H C307H | 1.4 | 4.1 | 3.8 | 4.9 | 2.7 | 4.1 |
| C208H C308H | 2.6 | 7.1 | 7.5 | 8.1 | 6.6 | 7.2 |
| C209H C309H | 4.9 | 12.1 | 12.1 | 13.8 | 11.7 | 12.5 |
| C210H C310H | 6.5 | 16.8 | 17.4 | 19.7 | 13.7 | 17.1 |
| C212H C312H | 7.8 | 20.2 | 20.9 | 23.6 | 16.4 | 20.5 |
| C213H C313H | 11 | 29 | 30.5 | 32.5 | 26 | 26 |
| C214H C314H | 16 | 47.5 | 49 | 53 | 40.5 | 42 |
| C216H C316H | 28 | 84 | 80 | 90 | 68 | 71 |

| Mounting position Size | D1/D3 D5/D6 | D2 | D4 |
|----------------------------|----------------|------|------|
| C200F/C200S C300F/C300S | 0.2 | 0.2 | 0.3 |
| C201F/C201S C301F/C301S | 0.4 | 0.4 | 0.5 |
| C203F/C203S C303F/C303S | 0.5 | 1 | 1.2 |
| C204F/C204S C304F/C304S | 0.8 | 1.7 | 1.8 |
| C205F/C205S C305F/C305S | 0.9 | 1.9 | 1.9 |
| C206F/C206S C306F/C306S | 1.4 | 2.9 | 3.3 |
| C207F/C207S C307F/C307S | 1.4 | 3.9 | 4.3 |
| C208F/C208S C308F/C308S | 2.7 | 7.1 | 7.9 |
| C209F/C209S C309F/C309S | 5.4 | 12.2 | 14 |
| C210F/C210S C310F/C310S | 6.8 | 16.4 | 19.7 |
| C212F/C212S C312F/C312S | 8.2 | 19.7 | 23.6 |
| C213F/C213S C313F/C313S | 10.5 | 28 | 33 |
| C214F/C214S C314F/C314S | 17 | 48 | 53 |
| C216F/C216S C316F/C316S | 28 | 84 | 90 |

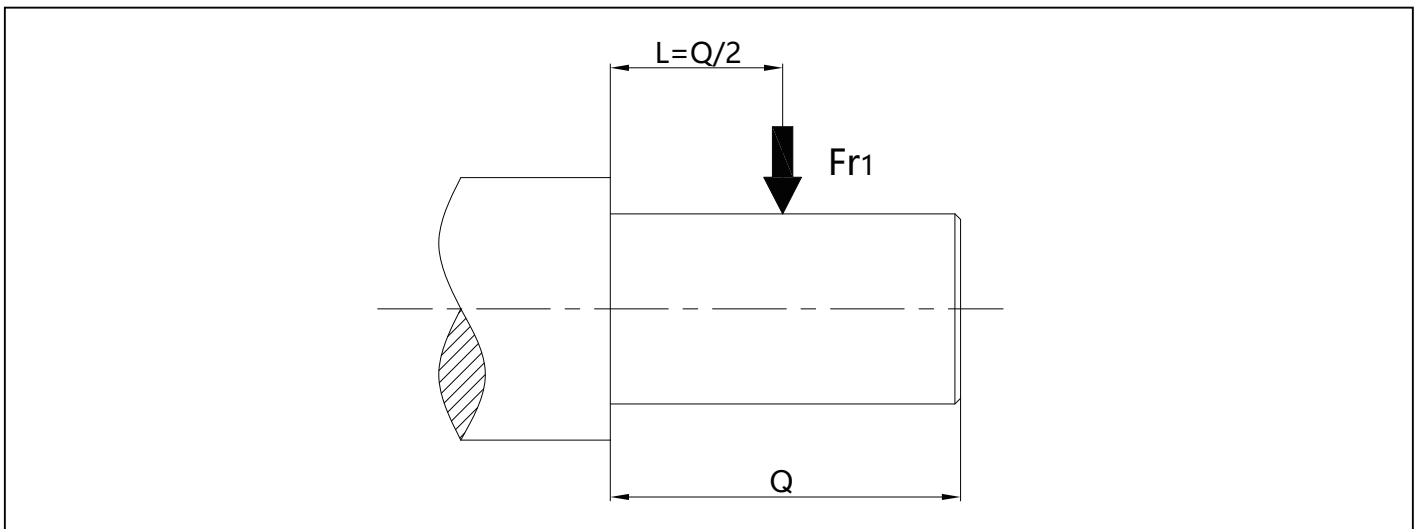
11 Motor Rainproof Cover Dimensions



| Frame Size | H63 | H71 | H80 | H90 | H100 | H112 | H132 | H160 | H180 | H200 | H225 | H250 | H280 |
|------------|-----|-----|-----|-----|------|------|------|------|------|------|------|------|------|
| D | 124 | 139 | 159 | 176 | 199 | 220 | 259 | 314 | 356 | 398 | 446 | 485 | 547 |
| H | 20 | 25 | 25 | 30 | 35 | 35 | 40 | 55 | 60 | 65 | 70 | 75 | 80 |

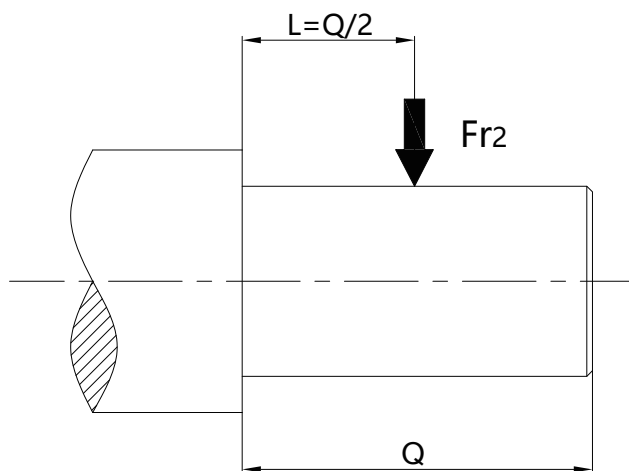
12 Permissible Radial Force

12.1 Radial force on input shaft ($Fr1$) (N)



| | $Fr1$ (N) | | | | | | | | | | | | | |
|-----|--------------|--------------|--------------|--------------|--------------|--------------|--------------|--------------|--------------|--------------|--------------|--------------|--------------|--------------|
| | C200 C300 | C201 C301 | C203 C303 | C204 C304 | C205 C305 | C206 C306 | C207 C307 | C208 C308 | C209 C309 | C210 C310 | C212 C312 | C213 C313 | C214 C314 | C216 C316 |
| AE2 | / | / | 803 | 803 | 803 | 803 | 803 | 803 | / | / | / | / | / | / |
| AE3 | / | / | / | 1504 | 1504 | 1504 | 1504 | 1504 | 1504 | 1504 | 1504 | / | / | / |
| AE4 | / | / | / | / | / | / | 2188 | 2188 | 2188 | 2188 | 2188 | 2188 | 2188 | 2188 |
| AE5 | / | / | / | / | / | / | / | 4207 | 4207 | 4207 | 4207 | 4207 | 4207 | 4207 |
| AE6 | / | / | / | / | / | / | / | / | 5664 | 5664 | 5664 | 5664 | 5664 | 5664 |
| AE7 | / | / | / | / | / | / | / | / | / | / | / | 9957 | 9957 | 9957 |
| AE8 | / | / | / | / | / | / | / | / | / | / | / | 12546 | 12546 | 12546 |

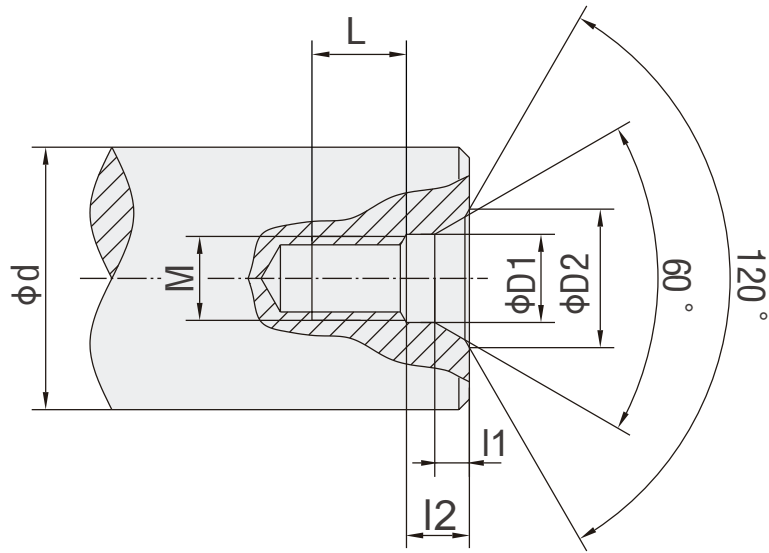
12.2 Radial force on output shaft (Fr2) (N)



| n_{2N} (r/min) | Fr2 (N) | | | | | | | | | | | | | |
|---------------------|--------------|--------------|--------------|--------------|--------------|--------------|--------------|--------------|--------------|--------------|--------------|--------------|--------------|--------------|
| | C200 C300 | C201 C301 | C203 C303 | C204 C304 | C205 C305 | C206 C306 | C207 C307 | C208 C308 | C209 C309 | C210 C310 | C212 C312 | C213 C313 | C214 C314 | C216 C316 |
| 355~500 | 210 | 350 | / | / | / | / | / | / | / | / | / | / | / | / |
| 250~355 | 246 | 410 | 684 | 2052 | 3102 | 4689 | 6096 | 8082 | 8865 | 10170 | 17770 | 31050 | 44370 | / |
| 224~250 | 256 | 427 | 711 | 2223 | 3344 | 5031 | 6540 | 8505 | 9450 | 11160 | 18989 | 32310 | 47800 | / |
| 200~224 | 324 | 540 | 900 | 2358 | 3505 | 5211 | 6774 | 8802 | 9810 | 11520 | 19718 | 33750 | 52560 | / |
| 180~224 | 557 | 929 | 1548 | 2448 | 3584 | 5247 | 6821 | 9180 | 10170 | 12420 | 20879 | 35100 | 48735 | / |
| 160~180 | 557 | 929 | 1548 | 2502 | 3663 | 5364 | 6973 | 9450 | 10710 | 11995 | 17262 | 24840 | 44910 | 67575 |
| 125~160 | 590 | 983 | 1638 | 2601 | 3859 | 5724 | 5841 | 9720 | 10890 | 11160 | 17674 | 27990 | 51600 | 74250 |
| 112~125 | 586 | 977 | 1629 | 2772 | 4073 | 5985 | 6066 | 10260 | 11430 | 12420 | 19695 | 31230 | 55710 | 79830 |
| 100~112 | 609 | 1015 | 1692 | 2840 | 4174 | 6134 | 6206 | 10490 | 11700 | 12960 | 20492 | 32400 | 57060 | 82125 |
| 90~100 | 651 | 1085 | 1809 | 2907 | 4273 | 6282 | 6651 | 10890 | 12240 | 13860 | 21915 | 34650 | 56430 | 91215 |
| 80~90 | 774 | 1291 | 2151 | 3033 | 4433 | 6480 | 6858 | 11340 | 12600 | 14400 | 22337 | 34650 | 60300 | 98010 |
| 71~80 | 833 | 1388 | 2313 | 3177 | 4537 | 6480 | 7182 | 11700 | 12960 | 14740 | 24022 | 39150 | 60300 | 100260 |
| 63~71 | 833 | 1388 | 2313 | 3258 | 4585 | 6453 | 7425 | 11970 | 13320 | 15570 | 24689 | 39150 | 58140 | 108000 |
| 56~63 | 1251 | 2084 | 3474 | 3543 | 4936 | 6876 | 9090 | 12510 | 14318 | 17280 | 27718 | 44460 | 58140 | 108000 |
| 45~56 | 1225 | 2041 | 3402 | 3645 | 5075 | 7065 | 9009 | 12510 | 14136 | 18090 | 29678 | 48690 | 56430 | 108000 |
| 40~45 | 1335 | 2225 | 3708 | 4221 | 5461 | 7065 | 8928 | 14400 | 16272 | 19395 | 30531 | 48060 | 56430 | 108000 |
| 35.5~40 | 1471 | 2452 | 4086 | 4167 | 5314 | 6777 | 8928 | 15120 | 16740 | 20700 | 31541 | 48060 | 56430 | 108000 |
| 31.5~35.5 | 1575 | 2624 | 4374 | 4437 | 5351 | 6453 | 8928 | 15210 | 17820 | 22050 | 32553 | 48060 | 56430 | 108000 |
| 28~31.5 | 1604 | 2673 | 4455 | 4635 | 5469 | 6453 | 8928 | 15210 | 17820 | 22950 | 33211 | 48060 | 56430 | 108000 |
| 25~28 | 1604 | 2673 | 4455 | 4815 | 5574 | 6453 | 8928 | 12150 | 17820 | 23940 | 33920 | 48060 | 56430 | 108000 |
| 22.4~25 | 1604 | 2673 | 4455 | 4878 | 5611 | 6453 | 8928 | 13680 | 17820 | 25200 | 34801 | 48060 | 56430 | 108000 |
| ≤22.4 | 1604 | 2673 | 4455 | 4878 | 5611 | 6453 | 8928 | 14220 | 17820 | 26280 | 35539 | 48060 | 56430 | 108000 |

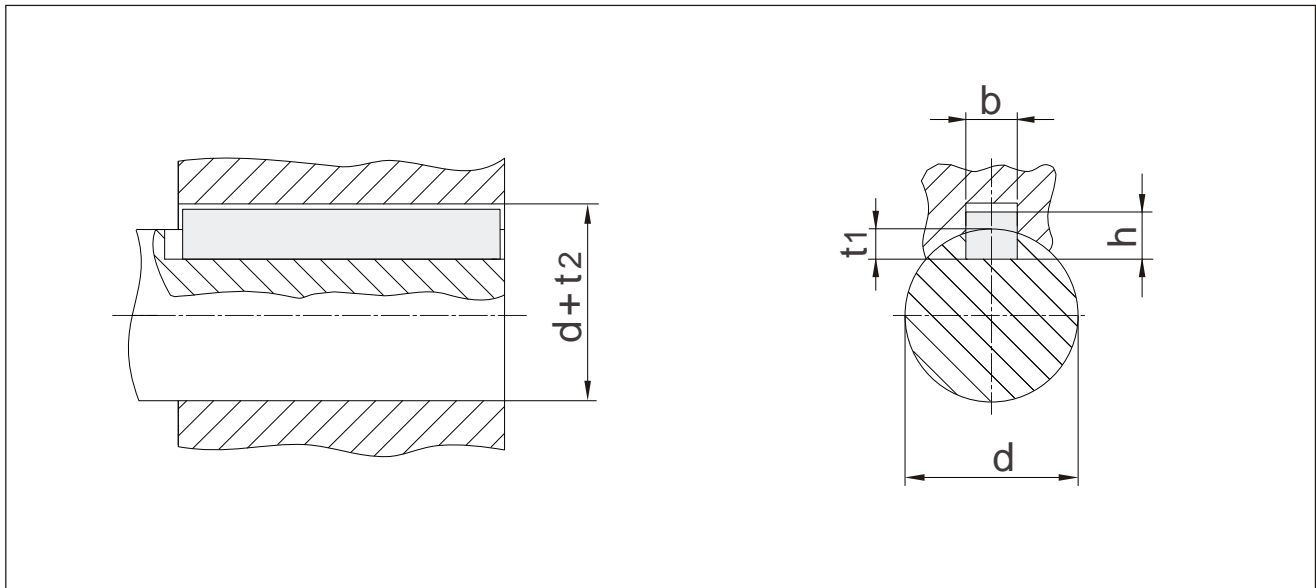
13 Shaft End Centre Hole

Type C screw central hole in shaft end



| d | M | L | l2 | l1 | D1 | D2 |
|--------------------|-----|----|-----|-----|------|------|
| $7 < d \leq 10$ | M3 | 10 | 2.6 | 1.8 | 3.2 | 5.8 |
| $10 < d \leq 13$ | M4 | 10 | 3.2 | 2.1 | 4.3 | 7.4 |
| $13 < d \leq 16$ | M5 | 10 | 4 | 2.4 | 5.3 | 8.8 |
| $16 < d \leq 21$ | M6 | 12 | 5 | 2.8 | 6.4 | 10.5 |
| $21 < d \leq 24$ | M8 | 12 | 6 | 3.3 | 8.4 | 13.2 |
| $24 < d \leq 30$ | M10 | 15 | 7.5 | 3.8 | 10.5 | 16.3 |
| $30 < d \leq 38$ | M12 | 20 | 9.5 | 4.4 | 13 | 19.8 |
| $38 < d \leq 50$ | M16 | 25 | 12 | 5.2 | 17 | 25.3 |
| $50 < d \leq 85$ | M20 | 30 | 15 | 6.4 | 21 | 31.3 |
| $85 < d \leq 130$ | M24 | 35 | 18 | 8 | 25 | 38 |
| $130 < d \leq 225$ | M30 | 45 | 18 | 11 | 31 | 48 |

14 Dimension of Parallel Key and Keyway



| d | b | h | t1 | d+t2 |
|---------------|----|----|-----|--------|
| 8 < d ≤ 10 | 3 | 3 | 1.8 | d+1.4 |
| 10 < d ≤ 12 | 4 | 4 | 2.5 | d+1.8 |
| 12 < d ≤ 17 | 5 | 5 | 3 | d+2.3 |
| 17 < d ≤ 22 | 6 | 6 | 3.5 | d+2.8 |
| 22 < d ≤ 30 | 8 | 7 | 4 | d+3.3 |
| 30 < d ≤ 38 | 10 | 8 | 5 | d+3.3 |
| 38 < d ≤ 44 | 12 | 8 | 5 | d+3.3 |
| 44 < d ≤ 50 | 14 | 9 | 5.5 | d+3.8 |
| 50 < d ≤ 58 | 16 | 10 | 6 | d+4.3 |
| 58 < d ≤ 65 | 18 | 11 | 7 | d+4.4 |
| 65 < d ≤ 75 | 20 | 12 | 7.5 | d+4.9 |
| 75 < d ≤ 85 | 22 | 14 | 9 | d+5.4 |
| 85 < d ≤ 95 | 25 | 14 | 9 | d+5.4 |
| 95 < d ≤ 110 | 28 | 16 | 10 | d+6.4 |
| 110 < d ≤ 130 | 32 | 18 | 11 | d+7.4 |
| 130 < d ≤ 150 | 36 | 20 | 12 | d+8.4 |
| 150 < d ≤ 170 | 40 | 22 | 13 | d+9.4 |
| 170 < d ≤ 200 | 45 | 25 | 15 | d+10.4 |
| 200 < d ≤ 230 | 50 | 28 | 17 | d+11.4 |
| 230 < d ≤ 260 | 56 | 32 | 20 | d+12.4 |



★ Manufacturing Base ▲ Assembly Company ▸ Sales Company ● Office ■ Dealer

BonengTransmission(India)Pvt.Ltd

402, 4th floor,8, Deepshikha Building,
Rajendra Place, New Delhi - 110008
E - mail: india@boneng.com
TEL: +91 - 11 - 45076293

Mumbai Office

No.603,Bhumiraj Costa Rica Commercial
Building,Plot1&2,Palm Beach Road,Sector18,
Sanpada,Navi Mumbai 400705 India
TEL: +91 - 22 - 2781 - 3385
FAX: +91 - 22 - 2781 - 3386

BonengTransmission(USA)LLC.

1670 ENTERPRISE PARKWAY,
TWINSBURG,OH 44087
E-mail: america@boneng.com
TEL: 1 - 330 - 425 - 1516
FAX: 1 - 330 - 425 - 1519

Along with the technology advancedet.,the product of the manual of Boneng will be changed,please forgive.

BONENG

BONENG TRANSMISSION (SUZHOU) CO.,LTD

100#, Ruyuan Rd.,Xiangcheng District,Suzhou,China

www.boneng.com

BONENG